

INTERIOR DOWNLIGHT

CEILING RECESSED • BACK PANEL MOUNTING

TOP 5 COMFORT AG

Frameless round lighting fixture with recessed lighting source and anti-glare body for very low glare. Different optics allow precise control of beam spread and shape. Comfort Series combine quality light with a sleek design.

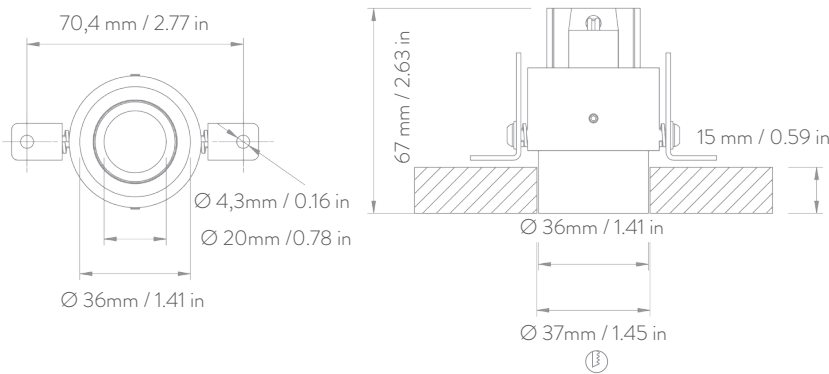
Materials: hard anodised aluminium body and anti-glare, with PMMA lens.

Finishes: standard plus custom colours available in several palettes, including matte or gloss varnish, for anti-glare and body. Suggested anodised black anti-glare maximises visual comfort.

Applications: suitable for accent lighting when visual comfort is a design priority.



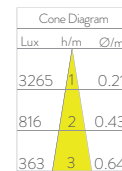
DRAWING



PHOTOMETRIC DIAGRAMS

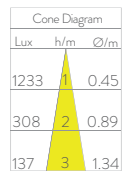
LENS: NARROW
BEAM: 12°

Lumen: 196
Watt: 4
Lm/W: 49
CCT: 3000K
CRI: 92 TYP



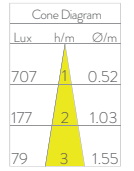
LENS: MEDIUM
BEAM: 25°

Lumen: 243
Watt: 4
Lm/W: 61
CCT: 3000K
CRI: 92 TYP



LENS: WIDE
BEAM: 29°

Lumen: 185
Watt: 4
Lm/W: 46
CCT: 3000K
CRI: 92 TYP



Note: photometric diagrams have been measured using anodised black anti-glare; in case of different finishes, please consider implications on lumen output and luminous distribution.

BODY FINISHES

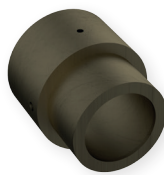
LACQUERED
RAL9010 GLOSS



LACQUERED
MATTE BLACK



ANTIQU
BRONZE

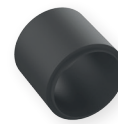


ANTI GLARE FINISHES

LACQUERED
RAL9010 GLOSS



ANODIZED
BLACK



LACQUERED
GOLD



ITEMS	LENSES	COLOR TEMP.	POWER SUPPLY	FRAME FINISHES	ANTI GLARE FINISHES
CODE	NARROW MEDIUM WIDE	2700K 3000K 4000K	CLL Vdc 24-32 DRIVER INCLUDED CSL Vf 11.3 If 350 mA DRIVER NOT INCLUDED	LACQUERED RAL9010 GLOSS LACQUERED MATTE BLACK ANTIQU BRONZE	LACQUERED RAL9010 GLOSS ANODIZED BLACK LACQUERED GOLD
20COM5RAG	NB - MB - WB	2 - 3 - 4	D - N	LA - LB - AB	ALL - ALA - ALG

RECESSED CEILING MOUNT	SOLIDS & LIQUIDS PROTECTION RATING	FIRE PROTECTION	ELECTRICAL SHOCK CLASS PROTECTION	EUROPEAN COMFORMITY	ALSO SUITABLE FOR RESIDENTIAL
---------------------------	---------------------------------------	--------------------	--------------------------------------	------------------------	----------------------------------

Note: Depending on the choice of finish, thickness of the product can vary up to 0,2 mm. Information provided with this document may be subject to change at any time without notice.