

INTERIOR DOWNLIGHT

CEILING RECESSED · SPRING MOUNTING

# TOP 5 R - FIX

Round lighting fixture with anti-glare ring and beam angle options for different light distributions. TOP 5 Series combines the best light quality with an attractive look in a very small size.

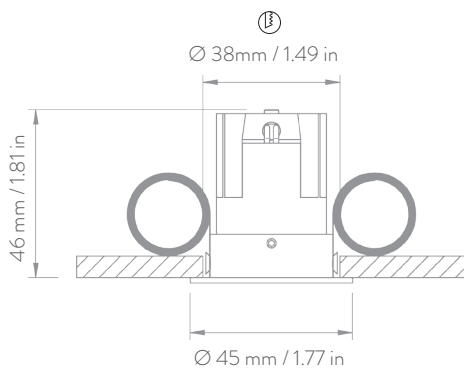
Materials: hard anodised aluminium body and anti-glare, with PMMA lens.

Finishes: custom colours available in several palettes, including matte or gloss varnish, for anti-glare and frame. Suggested anodised black anti-glare maximises visual comfort.

Applications: suitable for accent lighting and general lighting of small areas, depending on selected beam angle.



DRAWING



PHOTOMETRIC DIAGRAMS

**LENS: NARROW BEAM: 15°**

Lumen: 280  
Watt: 4  
Lm/W: 70  
CCT: 3000K  
CRI: 92 TYP

Cone Diagram		
Lux	h/m	Ø/m
2684	1	0.26
671	2	0.52
298	3	0.78

**LENS: MEDIUM BEAM: 25°**

Lumen: 311  
Watt: 4  
Lm/W: 78  
CCT: 3000K  
CRI: 92 TYP

Cone Diagram		
Lux	h/m	Ø/m
1300	1	0.43
325	2	0.86
144	3	1.29

**LENS: WIDE BEAM: 36°**

Lumen: 264  
Watt: 4  
Lm/W: 66  
CCT: 3000K  
CRI: 92 TYP

Cone Diagram		
Lux	h/m	Ø/m
1624	1	0.70
406	2	1.39
180	3	2.09

Note : according to the choice of accessories (honeycomb or sanded glass), please consider the implications on the lumen output and the luminous distribution.

BODY FINISHES

ACCESSORIES

CHROMED ALUMINIUM		LACQUERED RAL9010 GLOSS		LACQUERED MATTE BLACK		ANTIQUE BRONZE		HONEYCOMB		SANDED GLASS	
ITEMS	LENSES	COLOR TEMP.	POWER SUPPLY		BODY FINISHES			ACCESSORIES			
CODE	NARROW MEDIUM WIDE	2700K 3000K 4000K	CLL V <sub>dc</sub> 24-32 DRIVER INCLUDED	CSL V <sub>f</sub> 11.3 If 350 mA DRIVER NOT INCLUDED	CHROMED ALUMINIUM	LACQUERED RAL9010 GLOSS	LACQUERED MATTE BLACK	ANTIQUE BRONZE	HONEYCOMB	SANDED GLASS	
20TOP5RFX	NB - MB - WB	2 - 3 - 4	D	- N	CH	LA	LB	AB	HC	SG	

RECESSED CEILING MOUNT	SOLIDS & LIQUIDS PROTECTION RATING	FIRE PROTECTION	ELECTRICAL SHOCK CLASS PROTECTION	EUROPEAN COMFORMITY	ALSO SUITABLE FOR RESIDENTIAL

Note: Depending on the choice of finish, thickness of the product can vary up to 0,2 mm. Information provided with this document may be subject to change at any time without notice.