

INTERIOR DOWNLIGHT

CEILING RECESSED · SPRING MOUNTING

TOP 5 R - FR

Round body, lighting fixture with anti-glare ring and beam angle options for different light distributions.
TOP 5 Series combines the best light quality with an attractive look in a very small size.

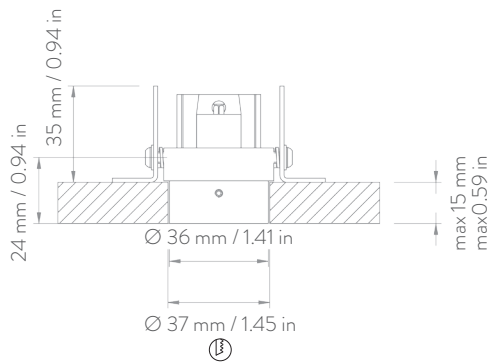
Materials: hard anodised aluminium body and anti-glare, with PMMA lens.

Finishes: custom colours available in several palettes, including matte or gloss varnish, for anti-glare and body.
Suggested anodised black anti-glare maximises visual comfort.

Applications: suitable for accent lighting and general lighting of small areas, depending on selected beam angle.



DRAWING



PHOTOMETRIC DIAGRAMS

LENS: NARROW BEAM: 15°

Lumen: 280
Watt: 4
Lm/W: 70
CCT: 3000K
CRI: 92 TYP

Cone Diagram		
Lux	h/m	Ø/m
2684	1	0.26
671	2	0.52
298	3	0.78

LENS: MEDIUM BEAM: 25°

Lumen: 311
Watt: 4
Lm/W: 78
CCT: 3000K
CRI: 92 TYP

Cone Diagram		
Lux	h/m	Ø/m
1300	1	0.43
325	2	0.86
144	3	1.29

LENS: WIDE BEAM: 36°

Lumen: 264
Watt: 4
Lm/W: 66
CCT: 3000K
CRI: 92 TYP

Cone Diagram		
Lux	h/m	Ø/m
1624	1	0.70
406	2	1.39
180	3	2.09

Note : according to the choice of accessories (honeycomb or sanded glass), please consider the implications on the lumen output and the luminous distribution.

BODY FINISHES

CHROMED ALUMINIUM



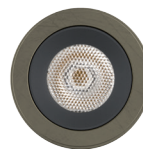
LACQUERED RAL9010 GLOSS



LACQUERED MATTE BLACK

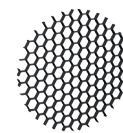


ANTIQUE BRONZE



ACCESSORIES

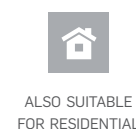
HONEYCOMB



SANDED GLASS



ITEMS	LENSES	COLOR TEMP.	POWER SUPPLY	BODY FINISHES	ACCESSORIES
CODE	NARROW MEDIUM WIDE	2700K 3000K 4000K	CLL V _{dc} 24-32 DRIVER INCLUDED CSL Vf 11.3 If 350 mA DRIVER NOT INCLUDED	CHROMED ALUMINIUM LACQUERED RAL9010 GLOSS LACQUERED MATTE BLACK ANTIQUE BRONZE	HONEYCOMB SANDED GLASS
20TOP5RFR	NB - MB - WB	2 - 3 - 4	D - N	CH - LA - LB - AB	HC - SG



Note: Depending on the choice of finish, thickness of the product can vary up to 0,2 mm. Information provided with this document may be subject to change at any time without notice.