

INTERIOR DOWNLIGHT

CEILING RECESSED • BACK PANEL MOUNTING

TOP 6 COMFORT AG

Frameless round lighting fixture with recessed lighting source and anti-glare body for very low glare. Different optics allow precise control of beam spread and shape. Comfort downlights combine quality light with a sleek design.

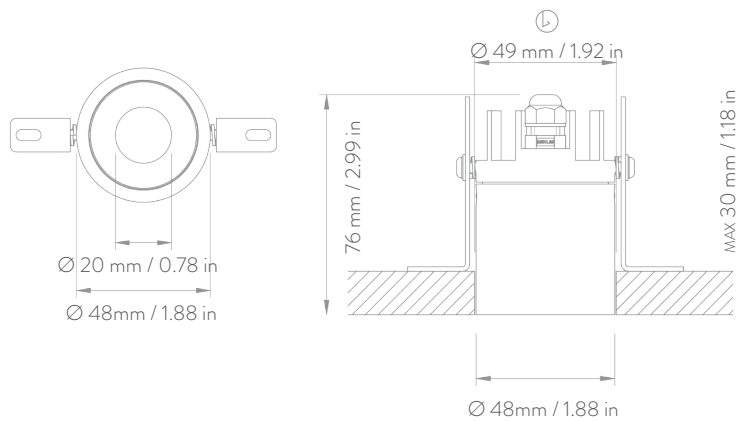
Materials: hard anodised aluminium body and anti-glare, with PMMA lens.

Finishes: standard plus custom colours available in several palettes, including matte or gloss varnish, for anti-glare and body. Suggested anodised black anti-glare maximises visual comfort.

Applications: suitable for general or accent lighting, depending on selected beam, when visual comfort is a design priority.

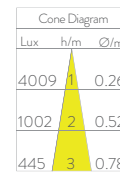


DRAWING

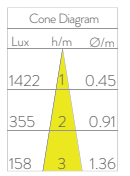


PHOTOMETRIC DIAGRAMS

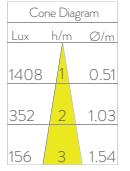
LENS: NARROW BEAM: 15°
Lumen: 345
Watt: 6
Lm/W: 58
CCT: 3000K
CRI: 92 TYP



LENS: MEDIUM BEAM: 25°
Lumen: 304
Watt: 6
Lm/W: 51
CCT: 3000K
CRI: 92 TYP



LENS: WIDE BEAM: 29°
Lumen: 332
Watt: 6
Lm/W: 55
CCT: 3000K
CRI: 92 TYP



Note: photometric diagrams have been measured using anodised black anti-glare; in case of different finishes, please consider implications on lumen output and luminous distribution.

BODY FINISHES



ANTI GLARE FINISHES



ITEMS	LENSES	COLOR TEMP.	POWER SUPPLY		FRAME FINISHES			ANTI GLARE FINISHES		
			CLL Vdc 24-32 DRIVER INCLUDED	CSL Vf 11.3 If 500 mA DRIVER NOT INCLUDED	LACQUERED RAL9010 GLOSS	LACQUERED MATTE BLACK	ANTIQU BRONZE	LACQUERED RAL9010 GLOSS	ANODIZED BLACK	LACQUERED GOLD
CODE	NARROW MEDIUM WIDE	2700K 3000K 4000K	D	N	LA	LB	AB	ALL	ALA	ALG
20COM6RAG	NB - MB - WB	2 - 3 - 4								

RECESSED
CEILING MOUNT

SOLIDS & LIQUIDS
PROTECTION RATING

FIRE
PROTECTION

ELECTRICAL SHOCK
CLASS PROTECTION

EUROPEAN
COMFORMITY

ALSO SUITABLE
FOR RESIDENTIAL

Note: Depending on the choice of finish, thickness of the product can vary up to 0,2 mm. Information provided with this document may be subject to change at any time without notice.