

INTERIOR DOWNLIGHT

CEILING RECESSED · SPRING MOUNTING

TOP 6 R - FIX

Round lighting fixture with antiglare ring and beam angle options for different light distribution.
Top 6 Series is the ideal trade-off between power output and minimal installation depth.

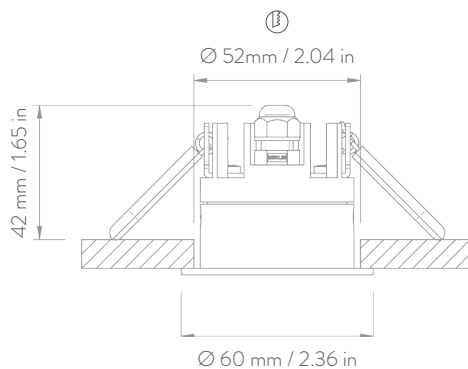
Materials: hard anodised aluminium body and antiglare, with PMMA lens.

Finishes: custom colours available in several palettes, including matte or gloss varnish, for antiglare and frame. Suggested anodised black antiglare maximises visual comfort.

Applications: suitable general lighting and space hierarchy definition, depending on selected beam angle.



DRAWING



PHOTOMETRIC DIAGRAMS

**LENS: NARROW
BEAM: 15°**

Lumen: 448
Watt: 6
Lm/W: 74
CCT: 3000K
CRI: 92 TYP

Cone Diagram		
Lux	h/m	Ø/m
5080	1	0.25
1270	2	0.49
564	3	0.74

**LENS: MEDIUM
BEAM: 25°**

Lumen: 464
Watt: 6
Lm/W: 77
CCT: 3000K
CRI: 92 TYP

Cone Diagram		
Lux	h/m	Ø/m
1807	1	0.44
452	2	0.87
201	3	1.31

**LENS: WIDE
BEAM: 36°**

Lumen: 402
Watt: 6
Lm/W: 67
CCT: 3000K
CRI: 92 TYP

Cone Diagram		
Lux	h/m	Ø/m
965	1	0.65
241	2	1.29
107	3	1.94

Note : according to the choice of accessories (honeycomb or sanded glass), please consider the implications on the lumen output and the luminous distribution.

BODY FINISHES

CHROMED ALUMINIUM



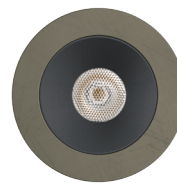
LACQUERED RAL9010 GLOSS



LACQUERED MATTE BLACK

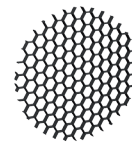


ANTIQU BRONZE



ACCESSORIES

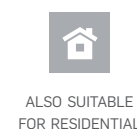
HONEYCOMB



SANDED GLASS



ITEMS	LENSES	COLOR TEMP.	POWER SUPPLY	BODY FINISHES	ACCESSORIES
CODE	NARROW MEDIUM WIDE	2700K 3000K 4000K	CLL V _{dc} 24-32 DRIVER INCLUDED CSL Vf 11.3 If 500 mA DRIVER NOT INCLUDED	CHROMED ALUMINIUM LACQUERED RAL9010 GLOSS LACQUERED MATTE BLACK ANTIQU BRONZE	HONEYCOMB SANDED GLASS
20TOP6RFX	NB - MB - WB	2 - 3 - 4	D - N	CH - LA - LB - AB	HC - SG



Note: Depending on the choice of finish, thickness of the product can vary up to 0,2 mm. Information provided with this document may be subject to change at any time without notice.