

INTERIOR DOWNLIGHT

CEILING RECESSED · SPRING MOUNTING

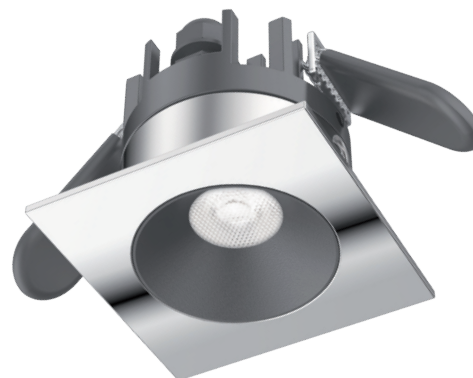
TOP 6 S - FIX

Square lighting fixture with anti-glare ring and beam angle options for different light distributions. TOP 6 Series is the ideal trade-off between power output and minimal installation depth.

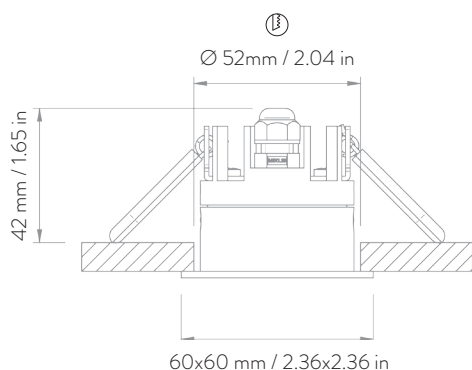
Materials: hard anodised aluminium body and anti-glare, with PMMA lens.

Finishes: custom colours available in several palettes, including matte or gloss varnish, for anti-glare and frame. Suggested anodised black anti-glare maximises visual comfort.

Applications: suitable general lighting and space hierarchy definition, depending on selected beam angle.



DRAWING



PHOTOMETRIC DIAGRAMS

LENS: NARROW
BEAM: 15°

Lumen: 448
Watt: 6
Lm/W: 74
CCT: 3000K
CRI: 92 TYP

Cone Diagram		
Lux	h/m	Ø/m
5080	1	0.25
1270	2	0.49
564	3	0.74

LENS: MEDIUM
BEAM: 25°

Lumen: 464
Watt: 6
Lm/W: 77
CCT: 3000K
CRI: 92 TYP

Cone Diagram		
Lux	h/m	Ø/m
1807	1	0.44
452	2	0.87
201	3	1.31

LENS: WIDE
BEAM: 36°

Lumen: 402
Watt: 6
Lm/W: 67
CCT: 3000K
CRI: 92 TYP

Cone Diagram		
Lux	h/m	Ø/m
965	1	0.65
241	2	1.29
107	3	1.94

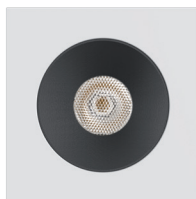
Note : according to the choice of accessories (honeycomb or sanded glass), please consider the implications on the lumen output and the luminous distribution.

BODY FINISHES

CHROMED ALUMINIUM



LACQUERED RAL9010 GLOSS



LACQUERED MATTE BLACK

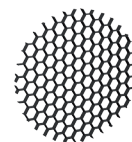


ANTIQUE BRONZE



ACCESSORIES

HONEYCOMB



SANDED GLASS



ITEMS	LENSES	COLOR TEMP.	POWER SUPPLY	BODY FINISHES	ACCESSORIES
CODE	NARROW MEDIUM WIDE	2700K 3000K 4000K	CLL Vdc 24-32 DRIVER INCLUDED CSL Vf 11.3 If 500 mA DRIVER NOT INCLUDED	CHROMED ALUMINIUM LACQUERED RAL9010 GLOSS LACQUERED MATTE BLACK ANTIQUE BRONZE	HONEYCOMB SANDED GLASS
20TOP6SFIX	NB - MB - WB	2 - 3 - 4	D - N	CH - LA - LB - AB	HC - SG



Note: Depending on the choice of finish, thickness of the product can vary up to 0,2 mm. Information provided with this document may be subject to change at any time without notice.