

INTERIOR DOWNLIGHT

CEILING RECESSED · BACK PANEL MOUNTING

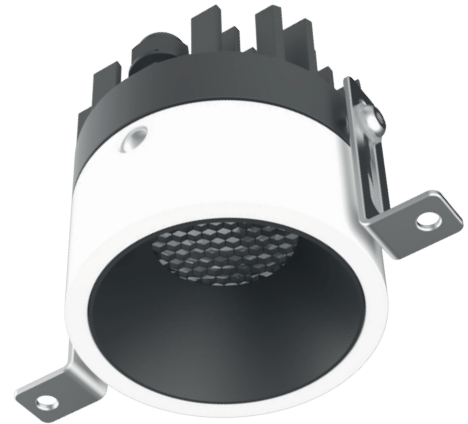
TOP 8 COMFORT AG

Frameless round lighting fixture with recessed lighting source and anti-glare body for very low glare. Different optics allow precise control of beam spread and shape. Comfort downlights combine quality light with a sleek design.

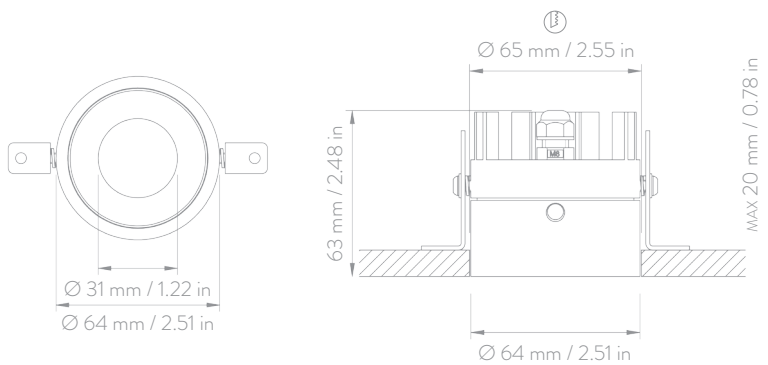
Materials: hard anodised aluminium body and anti-glare, with PMMA lens.

Finishes: standard plus custom colours available in several palettes, including matte or gloss varnish, for anti-glare and body. Suggested anodised black anti-glare maximises visual comfort.

Applications: suitable for uniform lighting when visual comfort is a design priority, these downlights cover all design needs when combined with fixtures from smaller series.



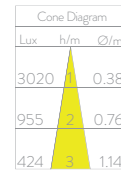
DRAWING



PHOTOMETRIC DIAGRAMS

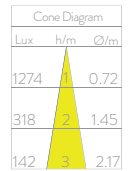
LENS: MEDIUM
BEAM: 22°

Lumen: 597
Watt: 9
Lm/W: 66
CCT: 3000K
CRI: 92 TYP



LENS: WIDE
BEAM: 40°

Lumen: 566
Watt: 9
Lm/W: 62
CCT: 3000K
CRI: 92 TYP



Note: photometric diagrams have been measured using anodised black anti-glare; in case of different finishes, please consider implications on lumen output and luminous distribution.

BODY FINISHES

LACQUERED
RAL9010 GLOSS



LACQUERED
MATTE BLACK



ANTIQU
BRONZE



ANTI GLARE FINISHES

LACQUERED
RAL9010 GLOSS



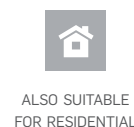
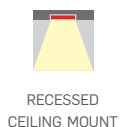
ANODIZED
BLACK



LACQUERED
GOLD



ITEMS	LENSES	COLOR TEMP.	POWER SUPPLY	FRAME FINISHES	ANTI GLARE FINISHES					
CODE	NARROW MEDIUM WIDE	2700K 3000K 4000K	CLL Vdc 24-32 DRIVER INCLUDED	CSL Vf 18 If 500 mA DRIVER NOT INCLUDED	LACQUERED RAL9010 GLOSS	LACQUERED MATTE BLACK	ANTIQU BRONZE	LACQUERED RAL9010 GLOSS	ANODIZED BLACK	LACQUERED GOLD
20COM8RAG	NB - MB - WB	2 - 3 - 4	D - N		LA - LB - AB	ALL - ALA - ALG				



Note: Depending on the choice of finish, thickness of the product can vary up to 0,2 mm. Information provided with this document may be subject to change at any time without notice.