

INTERIOR DOWNLIGHT

CEILING RECESSED · SPRING MOUNTING

TOP 8 S - ADJ

Square lighting fixture with anti-glare ring and beam angle options for different light distributions. With TOP 8 Series, elegant design meets high output and optimal efficiency.

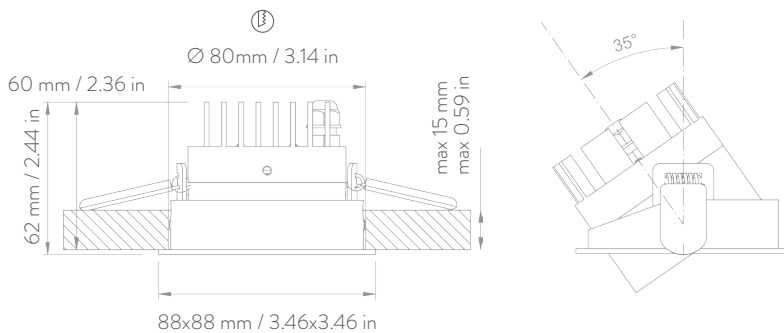
Materials: hard anodised aluminium body and anti-glare, with PMMA lens.

Finishes: custom colours available in several palettes, including matte or gloss varnish, for anti-glare and body. Suggested anodised black anti-glare maximises visual comfort.

Applications: suitable for uniform lighting of large spaces, these downlights cover all design needs when combined with products from smaller series.



DRAWING



PHOTOMETRIC DIAGRAMS

LENS: MEDIUM
BEAM: 24°

Lumen: 764
Watt: 9
Lm/W: 85
CCT: 3000K
CRI: 92 TYP

| Cone Diagram | | |
|--------------|-----|------|
| Lux | h/m | Ø/m |
| 3769 | 1 | 0.43 |
| 942 | 2 | 0.86 |
| 419 | 3 | 1.29 |

LENS: WIDE
BEAM: 40°

Lumen: 760
Watt: 9
Lm/W: 84
CCT: 3000K
CRI: 92 TYP

| Cone Diagram | | |
|--------------|-----|------|
| Lux | h/m | Ø/m |
| 1708 | 1 | 0.72 |
| 427 | 2 | 1.44 |
| 190 | 3 | 2.16 |

Note: according to the choice of accessories (honeycomb or sanded glass), please consider the implications on the lumen output and the luminous distribution.

VERSION FINISHES

ACCESSORIES

CHROMED
ALUMINIUM

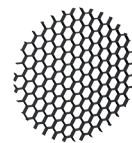
LACQUERED
RAL9010 GLOSS

LACQUERED
MATTE BLACK

ANTIQUÉ
BRONZE

HONEYCOMB

SANDED
GLASS



| ITEMS | LENSES | COLOR TEMP. | POWER SUPPLY | BODY FINISHES | | | ACCESSORIES | | | |
|------------|----------------|-------------------------|--|--|----------------------|-------------------------------|--------------------------|-------------------|-----------|-----------------|
| CODE | MEDIUM WIDE | 2700K 3000K 4000K | CLL Vdc 24-32 DRIVER INCLUDED | CSL Vf 18 If 500 mA DRIVER NOT INCLUDED | CHROMED ALUMINIUM | LACQUERED RAL9010 GLOSS | LACQUERED MATTE BLACK | ANTIQUÉ BRONZE | HONEYCOMB | SANDED GLASS |
| 20TOP8SADJ | MB - WB | 2 - 3 - 4 | D - N | CH - LA - LB - AB | HC - SG | | | | | |



Note: Depending on the choice of finish, thickness of the product can vary up to 0,2 mm. Information provided with this document may be subject to change at any time without notice.