

INTERIOR DOWNLIGHT

CEILING RECESSED · SPRING MOUNTING

TOP 8 S - FIX

Square lighting fixture with antiglare ring and beam angle options for different light distribution. With Top 8 Series, elegant design meets high output and optimal efficiency.

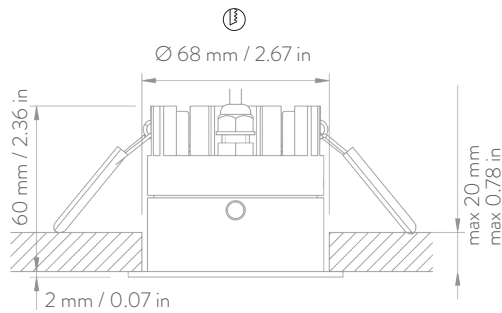
Materials: hard anodised aluminium body and antiglare, with PMMA lens.

Finishes: custom colours available in several palettes, including matte or gloss varnish, for antiglare and frame. Suggested anodised black antiglare maximises visual comfort.

Applications: suitable for uniform lighting of large spaces, these downlights cover all design needs when combined with products from smaller series.



DRAWING



PHOTOMETRIC DIAGRAMS

LENS: MEDIUM
BEAM: 24°
Lumen: 764
Watt: 9
Lm/W: 85
CCT: 3000K
CRI: 92 TYP

Cone Diagram		
Lux	h/m	Ø/m
3769	1	0.43
942	2	0.86
419	3	1.29

LENS: WIDE
BEAM: 40°
Lumen: 760
Watt: 9
Lm/W: 84
CCT: 3000K
CRI: 92 TYP

Cone Diagram		
Lux	h/m	Ø/m
1708	1	0.72
427	2	1.44
190	3	2.16

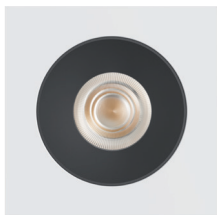
Note: according to the choice of accessories (honeycomb or sanded glass), please consider the implications on the lumen output and the luminous distribution.

BODY FINISHES

CHROMED ALUMINIUM



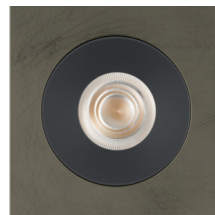
LACQUERED RAL9010 GLOSS



LACQUERED MATTE BLACK

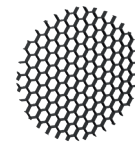


ANTIQUÉ BRONZE



ACCESSORIES

HONEYCOMB



SANDED GLASS



ITEMS	LENSES	COLOR TEMP.	POWER SUPPLY	BODY FINISHES	ACCESSORIES
CODE	MEDIUM WIDE	2700K 3000K 4000K	CLL Vdc 24-32 DRIVER INCLUDED CSL Vf 18 If 500 mA DRIVER NOT INCLUDED	CHROMED ALUMINIUM LACQUERED RAL9010 GLOSS LACQUERED MATTE BLACK ANTIQUÉ BRONZE	HONEYCOMB SANDED GLASS
20TOP8SFIX	MB - WB	2 - 3 - 4	D - N	CH - LA - LB - AB	HC - SG

RECESSED CEILING MOUNT	SOLIDS & LIQUIDS PROTECTION RATING	FIRE PROTECTION	ELECTRICAL SHOCK CLASS PROTECTION	EUROPEAN COMFORMITY	ALSO SUITABLE FOR RESIDENTIAL
------------------------	------------------------------------	-----------------	-----------------------------------	---------------------	-------------------------------

Note: Depending on the choice of finish, thickness of the product can vary up to 0,2 mm. Information provided with this document may be subject to change at any time without notice.