

# HOUSING MOUNT

EXTERIOR  
DOWNLIGHT



300lm MAX LUMINOUS FLUX

4W TOTAL POWER

BULWARK·RECESSED

## STEEL 5R H - AG

Round lighting fixture with anti-glare ring and beam angle options for different light distributions. STEEL 5 Series combines quality light, sleek design and small size in a watertight assembly.

Materials: AISI 316L stainless steel body, hard anodised aluminium heat sink and anti-glare and PMMA lens. Housing options are stainless steel, aluminium and plastic.

Finishes: frame comes in standard plus custom colours on request.

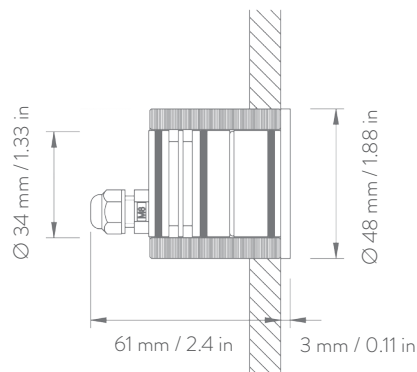
Applications: suitable for accent lighting of outdoor areas and side decks, with lighting effect depending on selected beam angle.



WITH ANTI-GLARE

### DRAWING

BULWARK MOUNT



### PHOTOMETRIC DIAGRAMS

LENS: NARROW  
BEAM: 14°

Cone Diagram		
Lux	h/m	Ø/m
3156	1	0.25
789	2	0.50
351	3	0.75

Lumen: 300  
Watt: 4  
Lm/W: 75  
CCT: 3000K  
CRI: 92 TYP

LED TYPE: CREE®

LENS: MEDIUM  
BEAM: 26°

Cone Diagram		
Lux	h/m	Ø/m
1334	1	0.46
334	2	0.92
148	3	1.37

Lumen: 328  
Watt: 4  
Lm/W: 82  
CCT: 3000K  
CRI: 92 TYP

LENS: WIDE  
BEAM: 35°

Cone Diagram		
Lux	h/m	Ø/m
648	1	0.63
162	2	1.27
72	3	1.90

Lumen: 274  
Watt: 4  
Lm/W: 68.5  
CCT: 3000K  
CRI: 92 TYP

Note : according to the choice of accessories (sanded glass), please consider the implications on the lumen output and the luminous distribution.

### BODY FINISHES w/ANTI-GLARE

### ACCESSORIES

STAINLESS STEEL

LACQUERED  
RAL9010 GLOSS

SANDED  
GLASS

STAINLESS STEEL  
WELD HOUSING

ALUMINIUM  
WELD HOUSING

PLASTIC  
GLUED HOUSING



ITEMS	LENSES	COLOUR TEMP.	POWER SUPPLY	BODY FINISHES	ACCESSORIES					
CODE	NARROW MEDIUM WIDE	2700K 3000K 4000K	CLL Vdc 24-32 DRIVER INCLUDED	CSL Vf 11.3 If 350 mA DRIVER NOT INCLUDED	STAINLESS STEEL	LACQUERED RAL9010 GLOSS	SANDED GLASS	S.STEEL HOUSING	ALUMINIUM HOUSING	PLASTIC HOUSING
20SRH5	NB - MB - WB	2 - 3 - 4	D - N	SB - LB	SG	MODEL ON REQUEST	MODEL ON REQUEST	MODEL ON REQUEST		



RECESSED  
BULWARK MOUNT



SOLIDS & LIQUIDS  
PROTECTION RATING



FIRE  
PROTECTION



ELECTRICAL SHOCK  
CLASS PROTECTION



EUROPEAN  
CONFORMITY



ALSO SUITABLE  
FOR RESIDENTIAL

Note : Depending on the choice of finish, thickness of the product can vary up to 0.2 mm. Information provided with this document may be subject to change at any time without notice.

RELEASED ON 21.07.2017