

SPRING MOUNT

EXTERIOR
DOWNLIGHT



300lm MAX LUMINOUS FLUX

4W TOTAL POWER

CEILING · RECESSED

STEEL 5R SP - AG

Round lighting fixture with anti-glare ring and beam angle options for different light distributions. STEEL 5 Series combines quality light, sleek design and small size in a watertight assembly.

Materials: AISI 316L stainless steel body, hard anodised aluminium heat sink and anti-glare and PMMA lens.

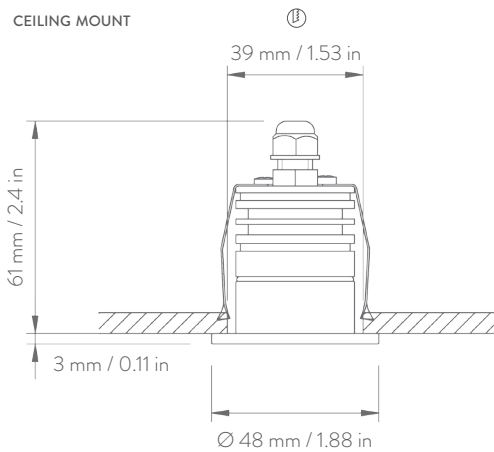
Finishes: frame comes in standard plus custom colours on request.

Applications: suitable for accent lighting and general lighting of outdoor areas and side decks, with lighting effect depending on selected beam angle.



WITH ANTI-GLARE

DRAWING

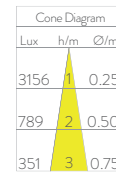


PHOTOMETRIC DIAGRAMS

LENS: NARROW
BEAM: 14°

Lumen: 300
Watt: 4
Lm/W: 75
CCT: 3000K
CRI: 92 TYP

LED TYPE: CREE®

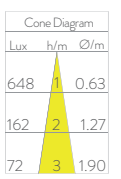
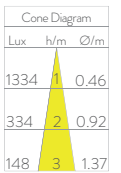


LENS: MEDIUM
BEAM: 26°

Lumen: 328
Watt: 4
Lm/W: 82
CCT: 3000K
CRI: 92 TYP

LENS: WIDE
BEAM: 35°

Lumen: 274
Watt: 4
Lm/W: 68.5
CCT: 3000K
CRI: 92 TYP



Note : according to the choice of accessories (sanded glass), please consider the implications on the lumen output and the luminous distribution.

BODY FINISHES W/ANTI-GLARE

STAINLESS STEEL



LACQUERED
RAL9010 GLOSS



SANDED
GLASS



ACCESSORIES

ITEMS	LENSES	COLOUR TEMP.	POWER SUPPLY	BODY FINISHES	ACCESSORIES		
CODE	NARROW MEDIUM WIDE	2700K 3000K 4000K	CLL Vdc 24-32 DRIVER INCLUDED	CSL Vf 11.3 If 350 mA DRIVER NOT INCLUDED	STAINLESS STEEL	LACQUERED RAL9010 GLOSS	SANDED GLASS
20SRSP5	NB - MB - WB	2 - 3 - 4	D - N	SB - LB	SG		



RECESSED
CEILING MOUNT



SOLIDS & LIQUIDS
PROTECTION RATING



FIRE
PROTECTION



ELECTRICAL SHOCK
CLASS PROTECTION



EUROPEAN
CONFORMITY



ALSO SUITABLE
FOR RESIDENTIAL

Note : Depending on the choice of finish, thickness of the product can vary up to 0.2 mm. Information provided with this document may be subject to change at any time without notice.

RELEASED ON 21.07.2017