

HOUSING SPRING MOUNT

EXTERIOR
DOWNLIGHT



300lm MAX LUMINOUS FLUX

4W TOTAL POWER

CEILING·BULWARK·RECESSED

STEEL 5S HSP - AG

Square lighting fixture with anti-glare ring and beam angle options for different light distributions. STEEL 5 Series combines quality light, sleek design and small size in a watertight assembly.

Materials: AISI 316L stainless steel body, hard anodised aluminium heat sink and anti-glare and PMMA lens. Housing options are stainless steel, aluminium and plastic.

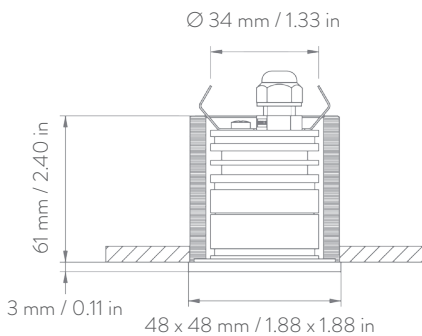
Finishes: frame comes in standard plus custom colours on request.

Applications: suitable for accent lighting and general lighting of outdoor areas and side decks, with lighting effect depending on selected beam angle.

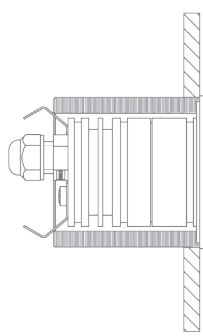


DRAWING

CEILING MOUNT



BULWARK MOUNT



PHOTOMETRIC DIAGRAMS

LENS: NARROW BEAM: 14°

Lumen: 300
Watt: 4
Lm/W: 75
CCT: 3000K
CRI: 92 TYP

LED TYPE: CREE®

Cone Diagram

Lux	h/m	Ø/m
3156	1	0.25
789	2	0.50
351	3	0.75

LENS: MEDIUM BEAM: 26°

Lumen: 328
Watt: 4
Lm/W: 82
CCT: 3000K
CRI: 92 TYP

Cone Diagram

Lux	h/m	Ø/m
1334	1	0.46
334	2	0.92
148	3	1.37

LENS: WIDE BEAM: 35°

Lumen: 274
Watt: 4
Lm/W: 68.5
CCT: 3000K
CRI: 92 TYP

Cone Diagram

Lux	h/m	Ø/m
648	1	0.63
162	2	1.27
72	3	1.90

Note : according to the choice of accessories (sanded glass), please consider the implications on the lumen output and the luminous distribution.

BODY FINISHES W/ANTI-GLARE

ACCESSORIES

STAINLESS STEEL

LACQUERED RAL9010 GLOSS

SANDED GLASS

STAINLESS STEEL WELD HOUSING

ALUMINIUM WELD HOUSING

PLASTIC GLUED HOUSING



ITEMS

LENSES

COLOUR TEMP.

POWER SUPPLY

BODY FINISHES

ACCESSORIES

CODE	NARROW MEDIUM WIDE	2700K 3000K 4000K	CLL Vdc 24-32 DRIVER INCLUDED	CSL Vf 11.3 If 350 mA DRIVER NOT INCLUDED	STAINLESS STEEL	LACQUERED RAL9010 GLOSS	SANDED GLASS	S.STEEL HOUSING	ALUMINIUM HOUSING	PLASTIC HOUSING
------	--------------------------	-------------------------	--	--	--------------------	-------------------------------	-----------------	--------------------	----------------------	--------------------

20SSH55

NB - MB - WB

2 - 3 - 4

D - N

SB - LB

SG

MODEL
ON
REQUEST

MODEL
ON
REQUEST

MODEL
ON
REQUEST



RECESSED
BULWARK MOUNT



RECESSED
CEILING MOUNT



SOLIDS & LIQUIDS
PROTECTION RATING



FIRE
PROTECTION



ELECTRICAL SHOCK
CLASS PROTECTION



EUROPEAN
CONFORMITY



ALSO SUITABLE
FOR RESIDENTIAL

Note : Depending on the choice of finish, thickness of the product can vary up to 0,2 mm. Information provided with this document may be subject to change at any time without notice.

RELEASED ON 21.07.2017