



450lm MAX LUMINOUS FLUX

6W TOTAL POWER

BULWARK·RECESSED

STEEL 6 SIDE R H - AG

Pre-tilted round lighting fixture with aluminium anti-glare and beam angle options for different light distributions. STEEL 6 Series is the ideal trade-off between power output and minimal installation depth, in a watertight assembly.

Materials: AISI 316L stainless steel body, hard anodised aluminium heat sink and anti-glare and PMMA lens.
Housing options are stainless steel, aluminium and plastic.

Finishes: frame comes in standard plus custom colours on request.

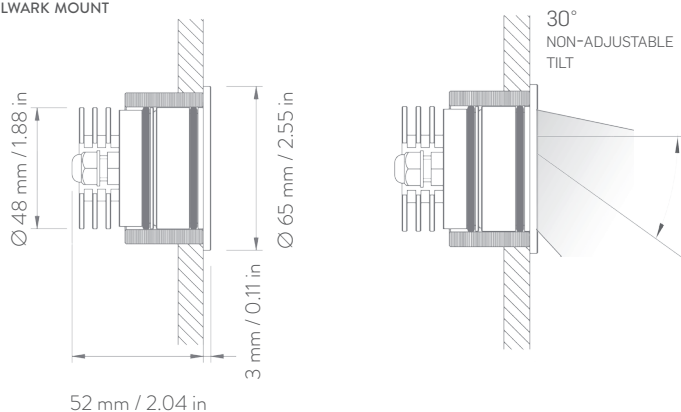
Applications: suitable for accent lighting of outdoor areas and side decks, with lighting effect depending on selected beam angle, position and orientation.



WITH ANTI-GLARE

DRAWING

BULWARK MOUNT



PHOTOMETRIC DIAGRAMS

LENS: NARROW BEAM: 12°

Lumen: 341
Watt: 6
Lm/W: 57
CCT: 3000K
CRI: 92 TYP

LED TYPE: CREE®

Cone Diagram		
Lux	h/m	Ø/m
4359	1	0.22
1090	2	0.43
484	3	0.65

LENS: MEDIUM BEAM: 25°

Lumen: 419
Watt: 6
Lm/W: 70
CCT: 3000K
CRI: 92 TYP

Cone Diagram		
Lux	h/m	Ø/m
1794	1	0.45
449	2	0.89
199	3	1.34

LENS: WIDE BEAM: 36°

Lumen: 373
Watt: 6
Lm/W: 62
CCT: 3000K
CRI: 92 TYP

Cone Diagram		
Lux	h/m	Ø/m
834	1	0.66
208	2	1.32
93	3	1.97

Note : according to the choice of accessories (sanded glass), please consider the implications on the lumen output and the luminous distribution.

BODY FINISHES W/ANTI-GLARE

ACCESSORIES

STAINLESS STEEL

LACQUERED RAL9010 GLOSS

SANDED GLASS

STAINLESS STEEL WELD HOUSING

ALUMINIUM WELD HOUSING

PLASTIC GLUED HOUSING



ITEMS	LENSES	COLOUR TEMP.	POWER SUPPLY	BODY FINISHES	ACCESSORIES
CODE	NARROW MEDIUM WIDE	2700K 3000K 4000K	CLL Vdc 24-32 DRIVER INCLUDED	CSL Vf11.3 If500 mA DRIVER NOT INCLUDED	STAINLESS STEEL
				LACQUERED RAL9010 GLOSS	SANDED GLASS
				S.S. STEEL HOUSING	ALUMINIUM HOUSING
				PLASTIC HOUSING	MODEL ON REQUEST
20SSRH6	NB - MB - WB	2 - 3 - 4	D - N	SB - LB	SG



RECESSED
BULWARK MOUNT



SOLIDS & LIQUIDS
PROTECTION RATING



FIRE
PROTECTION



ELECTRICAL SHOCK
CLASS PROTECTION



EUROPEAN
CONFORMITY



ALSO SUITABLE
FOR RESIDENTIAL

Note : Depending on the choice of finish, thickness of the product can vary up to 0.2 mm. Information provided with this document may be subject to change at any time without notice.

RELEASED ON 21.07.2017