

HOUSING SPRING MOUNT

EXTERIOR
DOWNLIGHT



450lm MAX LUMINOUS FLUX
6W TOTAL POWER

CEILING-RECESSED

STEEL 6 SIDE R HSP - AG

Pre-tilted round lighting fixture with aluminium anti-glare and beam angle options for different light distributions. STEEL 6 Series is the ideal trade-off between power output and minimal installation depth, in a watertight assembly.

Materials: AISI 316L stainless steel body, hard anodised aluminium heat sink and anti-glare and PMMA lens.
Housing options are stainless steel, aluminium and plastic.

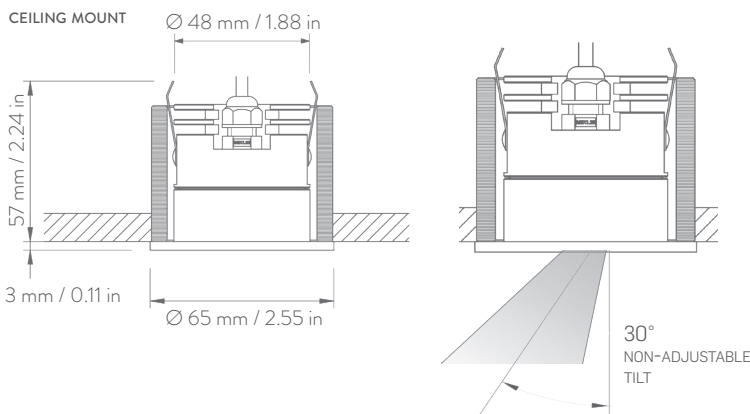
Finishes: frame comes in standard plus custom colours on request.

Applications: suitable for general lighting of outdoor areas and side decks, with lighting effect depending on selected beam angle, position and orientation.



WITH ANTI-GLARE

DRAWING



PHOTOMETRIC DIAGRAMS

LENS: NARROW BEAM: 12°

Lumen: 341
Watt: 6
Lm/W: 57
CCT: 3000K
CRI: 92 TYP

LED TYPE: CREE®

Cone Diagram		
Lux	h/m	Ø/m
4359	1	0.22
1090	2	0.43
484	3	0.65

LENS: MEDIUM BEAM: 25°

Lumen: 419
Watt: 6
Lm/W: 70
CCT: 3000K
CRI: 92 TYP

Cone Diagram		
Lux	h/m	Ø/m
1794	1	0.45
449	2	0.89
199	3	1.34

LENS: WIDE BEAM: 36°

Lumen: 373
Watt: 6
Lm/W: 62
CCT: 3000K
CRI: 92 TYP

Cone Diagram		
Lux	h/m	Ø/m
834	1	0.66
208	2	1.32
93	3	1.97

Note : according to the choice of accessories (sanded glass), please consider the implications on the lumen output and the luminous distribution.

BODY FINISHES W/ANTI-GLARE

ACCESSORIES

STAINLESS STEEL

LACQUERED
RAL9010 GLOSS

SANDED
GLASS

STAINLESS STEEL
WELD HOUSING

ALUMINIUM
WELD HOUSING

PLASTIC
GLUED HOUSING



ITEMS

LENSES

COLOUR TEMP.

POWER SUPPLY

BODY FINISHES

ACCESSORIES

CODE

NARROW
MEDIUM
WIDE

2700K
3000K
4000K

CLL
Vdc 24-32
DRIVER
INCLUDED

CSL
Vf 11.3 If 500 mA
DRIVER
NOT INCLUDED

STAINLESS
STEEL

LACQUERED
RAL9010
GLOSS

SANDED
GLASS

S.STEEL
HOUSING

ALUMINIUM
HOUSING

PLASTIC
HOUSING

20 SSSH6

NB - MB - WB

2 - 3 - 4

D - N

SB - LB

SG

MODEL
ON
REQUEST

MODEL
ON
REQUEST

MODEL
ON
REQUEST



RECESSED
CEILING MOUNT



SOLIDS & LIQUIDS
PROTECTION RATING



FIRE
PROTECTION



ELECTRICAL SHOCK
CLASS PROTECTION



EUROPEAN
CONFORMITY



ALSO SUITABLE
FOR RESIDENTIAL

Note : Depending on the choice of finish, thickness of the product can vary up to 0.2 mm. Information provided with this document may be subject to change at any time without notice.

RELEASED ON 15.02.2018