

# SPRING MOUNT

EXTERIOR  
DOWNLIGHT



450lm MAX LUMINOUS FLUX

6W TOTAL POWER

CEILING-RECESSED

## STEEL 6 SIDE R SP - AG

Pre-tilted round lighting fixture with aluminium anti-glare and beam angle options for different light distributions. STEEL 6 Series is the ideal trade-off between power output and minimal installation depth, in a watertight assembly.

Materials: AISI 316L stainless steel body, hard anodised aluminium heat sink and anti-glare and PMMA lens.

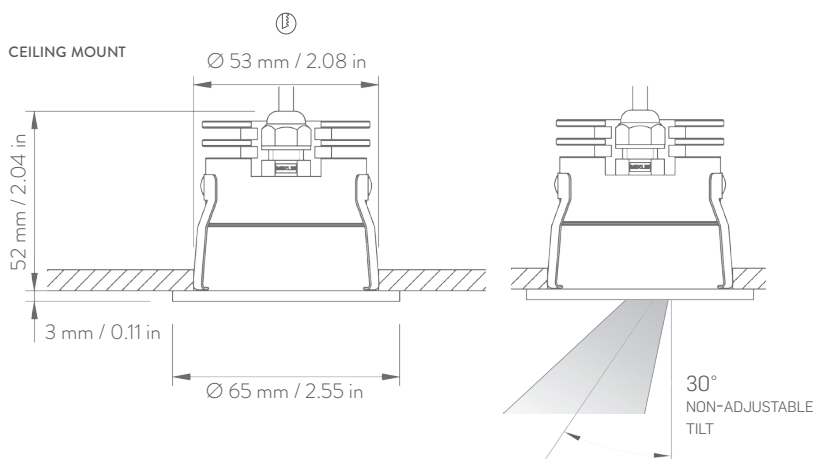
Finishes: frame comes in standard plus custom colours on request.

Applications: suitable for general lighting of outdoor areas and side decks, with lighting effect depending on selected beam angle, position and orientation.



WITH ANTI-GLARE

### DRAWING



### PHOTOMETRIC DIAGRAMS

LENS: NARROW  
BEAM: 12°

Lumen: 341  
Watt: 6  
Lm/W: 57  
CCT: 3000K  
CRI: 92 TYP

LED TYPE: CREE®

Cone Diagram		
Lux	h/m	Ø/m
4359	1	0.22
1090	2	0.43
484	3	0.65

LENS: MEDIUM  
BEAM: 25°

Lumen: 419  
Watt: 6  
Lm/W: 70  
CCT: 3000K  
CRI: 92 TYP

Cone Diagram		
Lux	h/m	Ø/m
1794	1	0.45
449	2	0.89
199	3	1.34

LENS: WIDE  
BEAM: 36°

Lumen: 373  
Watt: 6  
Lm/W: 62  
CCT: 3000K  
CRI: 92 TYP

Cone Diagram		
Lux	h/m	Ø/m
834	1	0.66
208	2	1.32
93	3	1.97

Note : according to the choice of accessories (sanded glass), please consider the implications on the lumen output and the luminous distribution.

### BODY FINISHES W/ANTI-GLARE

STAINLESS STEEL



LACQUERED  
RAL9010 GLOSS



SANDED  
GLASS



### ACCESSORIES

ITEMS	LENSES	COLOUR TEMP.	POWER SUPPLY	BODY FINISHES	ACCESSORIES
CODE	NARROW MEDIUM WIDE	2700K 3000K 4000K	CLL Vdc 24-32 DRIVER INCLUDED CSL Vf 11.3 If 500 mA DRIVER NOT INCLUDED	STAINLESS STEEL LACQUERED RAL9010 GLOSS	SANDED GLASS
20SSRS6	NB - MB - WB	2 - 3 - 4	D - N	SB - SL	SG



Note : Depending on the choice of finish, thickness of the product can vary up to 0.2 mm. Information provided with this document may be subject to change at any time without notice.

RELEASED ON 21.07.2017