

HOUSING SPRING MOUNT

EXTERIOR
DOWNLIGHT



450lm MAX LUMINOUS FLUX
6W TOTAL POWER

CEILING · BULWARK · RECESSED

STEEL 6R HSP - AG

Round lighting fixture with aluminium anti-glare ring and beam angle options for different light distributions. Protection glass is positioned between frame and anti-glare. STEEL 6 Series is the ideal trade-off between power output and minimal installation depth, in a watertight assembly.

Materials: AISI 316L stainless steel body, hard anodised, aluminium heat sink anti-glare and PMMA lens.
Housing options are stainless steel, aluminium and plastic.

Finishes: frame comes in standard plus custom colours on request.

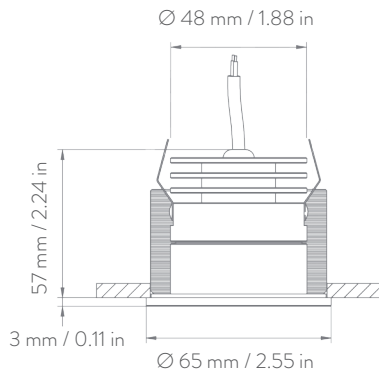
Applications: suitable for general lighting of outdoor areas and side decks, with lighting effect depending on selected beam angle.



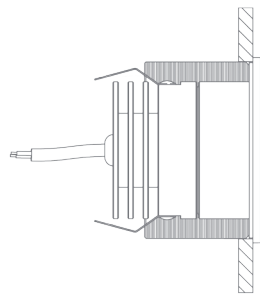
WITH ANTI-GLARE

DRAWING

CEILING MOUNT



BULWARK MOUNT



PHOTOMETRIC DIAGRAMS

LENS: NARROW BEAM: 12°

Lumen: 341
Watt: 6
Lm/W: 57
CCT: 3000K
CRI: 92 TYP

LED TYPE: CREE®

Cone Diagram		
Lux	h/m	Ø/m
4359	1	0.22
1090	2	0.43
484	3	0.65

LENS: MEDIUM BEAM: 25°

Lumen: 419
Watt: 6
Lm/W: 70
CCT: 3000K
CRI: 92 TYP

Cone Diagram		
Lux	h/m	Ø/m
1794	1	0.45
449	2	0.89
199	3	1.34

LENS: WIDE BEAM: 36°

Lumen: 373
Watt: 6
Lm/W: 62
CCT: 3000K
CRI: 92 TYP

Cone Diagram		
Lux	h/m	Ø/m
834	1	0.66
208	2	1.32
93	3	1.97

Note : according to the choice of accessories (sanded glass), please consider the implications on the lumen output and the luminous distribution.

BODY FINISHES w/ANTI-GLARE

STAINLESS STEEL

LACQUERED
RAL9010 GLOSS

SANDED
GLASS

STAINLESS STEEL
WELD HOUSING

ALUMINIUM
WELD HOUSING

PLASTIC
GLUED HOUSING



ITEMS	LENSES	COLOUR TEMP.	POWER SUPPLY	BODY FINISHES	ACCESSORIES
CODE	NARROW MEDIUM WIDE	2700K 3000K 4000K	CLL Vdc 24-32 DRIVER INCLUDED CSL Vf 11.3 If 500 mA DRIVER NOT INCLUDED	STAINLESS STEEL LACQUERED RAL9010 GLOSS	SANDED GLASS S.STEEL HOUSING ALUMINIUM HOUSING PLASTIC HOUSING
20SRHS6	NB - MB - WB	2 - 3 - 4	D - N	SB - LB	SG MODEL ON REQUEST MODEL ON REQUEST MODEL ON REQUEST



Note : Depending on the choice of finish, thickness of the product can vary up to 0.2 mm. Information provided with this document may be subject to change at any time without notice.

RELEASED ON 21.07.2017