

HOUSING SPRING MOUNT

EXTERIOR
DOWNLIGHT



780lm MAX LUMINOUS FLUX

9W TOTAL POWER

CEILING·BULWARK·RECESSED

STEEL 8R HSP - AG

Round lighting fixture with aluminium anti-glare ring and beam angle options for different light distributions. Protection glass is positioned between frame and anti-glare.

With STEEL 8 Series elegant design meets high output and optimal efficiency, in a watertight assembly.

Materials: AISI 316L stainless steel body, hard anodised aluminium heat sink and anti-glare and PMMA lens.

Housing options are stainless steel, aluminium and plastic.

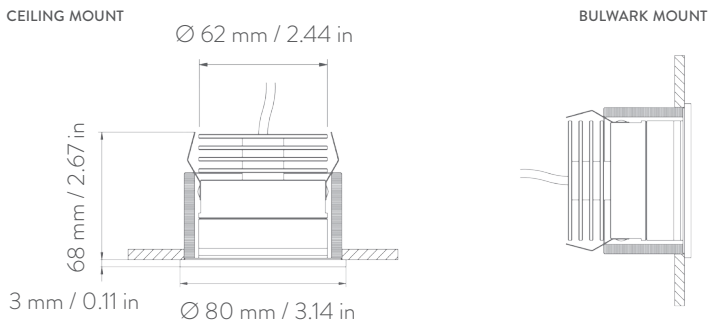
Finishes: frame comes in standard plus custom colours on request.

Applications: suitable for general and uniform lighting of outdoor areas and side decks, these downlights cover all design needs when combined with smaller products and optimal beam angle selection.



WITH ANTI-GLARE

DRAWING



PHOTOMETRIC DIAGRAMS

LENS: MEDIUM
BEAM: 21°

Lumen: 754
Watt: 9
Lm/W: 83
CCT: 3000K
CRI: 92 TYP

| Cone Diagram | | |
|--------------|-----|------|
| Lux | h/m | Ø/m |
| 3646 | 1 | 0.37 |
| 912 | 2 | 0.74 |
| 405 | 3 | 1.11 |

LENS: WIDE
BEAM: 38°

Lumen: 779
Watt: 9
Lm/W: 86
CCT: 3000K
CRI: 92 TYP

| Cone Diagram | | |
|--------------|-----|------|
| Lux | h/m | Ø/m |
| 1647 | 1 | 0.69 |
| 412 | 2 | 1.38 |
| 183 | 3 | 2.07 |

LED TYPE: CREE®

Note : according to the choice of accessories (sanded glass), please consider the implications on the lumen output and the luminous distribution.

BODY FINISHES W/ANTI-GLARE

STAINLESS STEEL

LACQUERED
RAL9010 GLOSS



ACCESSORIES

SANDED
GLASS

STAINLESS STEEL
WELD HOUSING

ALUMINIUM
WELD HOUSING

PLASTIC
GLUED HOUSING



| ITEMS | LENSES | COLOUR TEMP. | POWER SUPPLY | BODY FINISHES | ACCESSORIES | | | | | |
|---------|----------------|-------------------------|--|---|--------------------|-------------------------------|------------------------|------------------------|----------------------|--------------------|
| CODE | MEDIUM WIDE | 2700K 3000K 4000K | CLL Vdc 24-32 DRIVER INCLUDED | CSL Vf18 If 500 mA DRIVER NOT INCLUDED | STAINLESS STEEL | LACQUERED RAL9010 GLOSS | SANDED GLASS | S.STEEL HOUSING | ALUMINIUM HOUSING | PLASTIC HOUSING |
| 20SRHS8 | MB - WB | 2 - 3 - 4 | D - N | SB - LB | SG | MODEL ON REQUEST | MODEL ON REQUEST | MODEL ON REQUEST | | |



Note : Depending on the choice of finish, thickness of the product can vary up to 0.2 mm. Information provided with this document may be subject to change at any time without notice.

RELEASED ON 21.07.2017