



**780lm MAX LUMINOUS FLUX**  
**9W TOTAL POWER**

CEILING · BULWARK · RECESSED

## STEEL 8R SC - AG

Round lighting fixture with aluminium anti-glare ring and beam angle options for different light distributions. Protection glass is positioned between frame and anti-glare. With STEEL 8 Series elegant design meets high output and optimal efficiency, in a watertight assembly.

Materials: AISI 316L stainless steel body, hard anodised aluminium heat sink and anti-glare and PMMA lens.

Finishes: frame comes in standard plus custom colours on request.

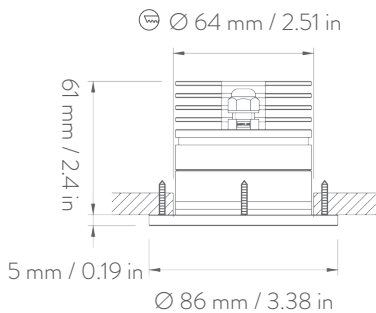
Applications: suitable for general and uniform lighting of outdoor areas and side decks, these downlights cover all design needs when combined with smaller products and optimal beam angle selection.



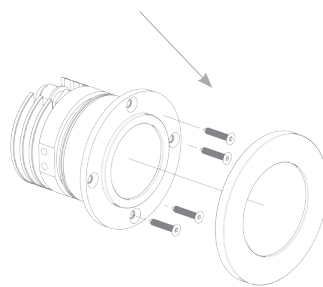
WITH ANTI-GLARE

### DRAWING

CEILING / BULWARK MOUNT



POSITION THE FIXTURE, THEN USE THE FOUR SCREWS FROM FRONT TO FIX IT AND FINALLY SCREW THE BEZEL.



### PHOTOMETRIC DIAGRAMS

LENS: MEDIUM  
BEAM: 21°

Lumen: 754  
Watt: 9  
Lm/W: 83  
CCT: 3000K  
CRI: 92 TYP

Cone Diagram		
Lux	h/m	Ø/m
3646	1	0.37
912	2	0.74
405	3	1.11

LENS: WIDE  
BEAM: 38°

Lumen: 779  
Watt: 9  
Lm/W: 86  
CCT: 3000K  
CRI: 92 TYP

Cone Diagram		
Lux	h/m	Ø/m
1647	1	0.69
412	2	1.38
183	3	2.07

LED TYPE: CREE®

Note : according to the choice of accessories (sanded glass), please consider the implications on the lumen output and the luminous distribution.

### BODY FINISHES W/ ANTI-GLARE

STAINLESS STEEL



LACQUERED  
RAL9010 GLOSS



SANDED  
GLASS



### ACCESSORIES

ITEMS	LENSES	COLOUR TEMP.	POWER SUPPLY	BODY FINISHES	ACCESSORIES
CODE	MEDIUM WIDE	2700K 3000K 4000K	CLL Vdc 24-32 DRIVER INCLUDED CSL Vf 18 If 500 mA DRIVER NOT INCLUDED	STAINLESS STEEL LACQUERED RAL9010 GLOSS	SANDED GLASS
<b>20SRSC8</b>	<b>MB - WB</b>	<b>2 - 3 - 4</b>	<b>D - N</b>	<b>SB - SL</b>	<b>SG</b>



Note : Depending on the choice of finish, thickness of the product can vary up to 0.2 mm. Information provided with this document may be subject to change at any time without notice.

Before installation lubricate threaded parts with the special lithium grease to prevent blocks between metal parts.

RELEASED ON 21.07.2017