



780lm MAX LUMINOUS FLUX

9W TOTAL POWER

CEILING-RECESSED

STEEL 8S SP - AG

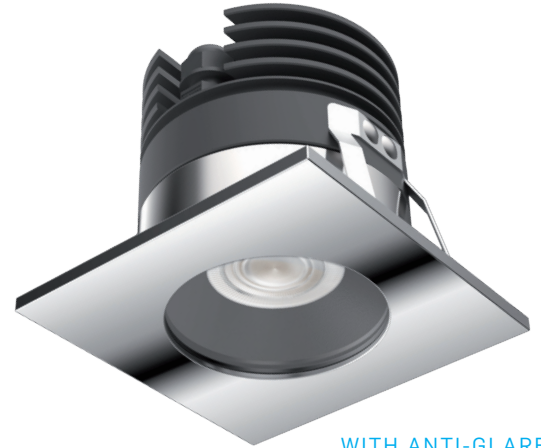
Square lighting fixture with aluminium anti-glare ring and beam angle options for different light distributions. Protection glass is positioned between frame and anti-glare.

With STEEL 8 Series elegant design meets high output and optimal efficiency, in a watertight assembly.

Materials: AISI 316L stainless steel body, hard anodised aluminium heat sink and anti-glare and PMMA lens.

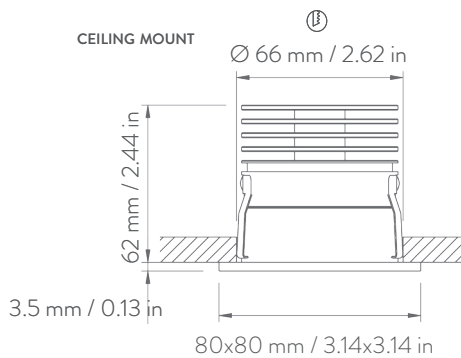
Finishes: frame comes in standard plus custom colours on request.

Applications: suitable for general and uniform lighting of outdoor areas and side decks, these downlights cover all design needs when combined with smaller products and optimal beam angle selection.



WITH ANTI-GLARE

DRAWING



PHOTOMETRIC DIAGRAMS

LENS: MEDIUM
BEAM: 21°

Lumen: 754
Watt: 9
Lm/W: 83
CCT: 3000K
CRI: 92 TYP

Cone Diagram		
Lux	h/m	Ø/m
3646	1	0.37
912	2	0.74
405	3	1.11

LENS: WIDE
BEAM: 38°

Lumen: 779
Watt: 9
Lm/W: 86
CCT: 3000K
CRI: 92 TYP

Cone Diagram		
Lux	h/m	Ø/m
1647	1	0.69
412	2	1.38
183	3	2.07

LED TYPE: CREE®

Note : according to the choice of accessories (sanded glass), please consider the implications on the lumen output and the luminous distribution.

BODY FINISHES W/ ANTI-GLARE

STAINLESS STEEL



LACQUERED
RAL9010 GLOSS



SANDED
GLASS



ACCESSORIES

ITEMS	LENSES	COLOUR TEMP.	POWER SUPPLY	BODY FINISHES	ACCESSORIES		
CODE	MEDIUM WIDE	2700K 3000K 4000K	CLL Vdc 24-32 DRIVER INCLUDED	CSL Vf 18 If 500 mA DRIVER NOT INCLUDED	STAINLESS STEEL	LACQUERED RAL9010 GLOSS	SANDED GLASS
20SSSP8	MB - WB	2 - 3 - 4	D - N	SB - SL	SG		



RECESSED
CEILING MOUNT



SOLIDS & LIQUIDS
PROTECTION RATING



FIRE
PROTECTION



ELECTRICAL SHOCK
CLASS PROTECTION



EUROPEAN
CONFORMITY



ALSO SUITABLE
FOR RESIDENTIAL

Note : Depending on the choice of finish, thickness of the product can vary up to 0,2 mm. Information provided with this document may be subject to change at any time without notice.

RELEASED ON 21.07.2017