

SPRING MOUNT

EXTERIOR
DOWNLIGHT



450lm MAX LUMINOUS FLUX

6W TOTAL POWER

CEILING-RECESSED

STEEL 9R SP - AG

Adjustable round lighting fixture with aluminium anti-glare and beam angle options for different light distributions. STEEL 9 Series offers STEEL 6 lighting performances with the advantage of a gyroscopic core, in a watertight assembly.

Materials: AISI 316L stainless steel body, hard anodised aluminium heat sink, anti-glare and honeycomb and PMMA lens.

Finishes: frame comes in standard plus custom colours on request.

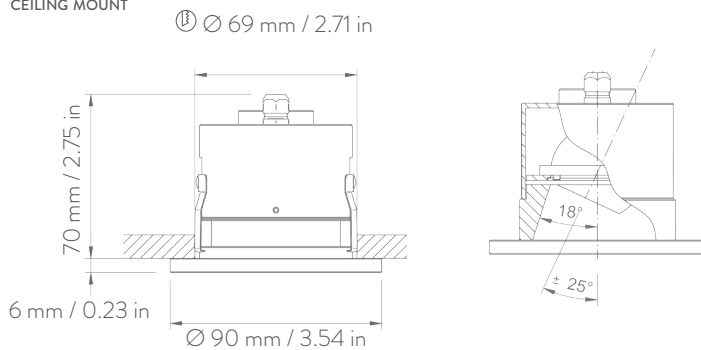
Applications: suitable for general lighting of outdoor areas and side decks, with lighting effect depending on selected beam angle, position and tilt angle.



WITH ANTI-GLARE

DRAWING

CEILING MOUNT



PHOTOMETRIC DIAGRAMS

LENS: NARROW
BEAM: 12°

Lumen: 341
Watt: 6
Lm/W: 57
CCT: 3000K
CRI: 92 TYP

Cone Diagram		
Lux	h/m	Ø/m
4359	1	0.22
1090	2	0.43
484	3	0.65

LED TYPE: CREE®

Note : according to the choice of accessories (sanded glass), please consider the implications on the lumen output and the luminous distribution.

LENS: MEDIUM
BEAM: 25°

Lumen: 419
Watt: 6
Lm/W: 70
CCT: 3000K
CRI: 92 TYP

Cone Diagram		
Lux	h/m	Ø/m
1794	1	0.45
449	2	0.89
199	3	1.34

LENS: WIDE
BEAM: 36°

Lumen: 373
Watt: 6
Lm/W: 62
CCT: 3000K
CRI: 92 TYP

Cone Diagram		
Lux	h/m	Ø/m
834	1	0.66
208	2	1.32
93	3	1.97

BODY FINISHES w/ANTI-GLARE

STAINLESS STEEL



LACQUERED
RAL9010 GLOSS



SANDED
GLASS



ACCESSORIES

ITEMS	LENSES	COLOUR TEMP.	POWER SUPPLY	BODY FINISHES	ACCESSORIES
CODE	NARROW MEDIUM WIDE	2700K 3000K 4000K	CLL Vdc 24-32 DRIVER INCLUDED CSL Vf 11.3 If 500 mA DRIVER NOT INCLUDED	STAINLESS STEEL LACQUERED RAL9010 GLOSS	SANDED GLASS
20SRSP9	NB - MB - WB	2 - 3 - 4	D - N	SB - SL	SG



RECESSED
CEILING MOUNT



SOLIDS & LIQUIDS
PROTECTION RATING



FIRE
PROTECTION



ELECTRICAL SHOCK
CLASS PROTECTION



EUROPEAN
CONFORMITY



ALSO SUITABLE
FOR RESIDENTIAL

Note : Depending on the choice of finish, thickness of the product can vary up to 0.2 mm. Information provided with this document may be subject to change at any time without notice.

RELEASED ON 21.07.2017