

INTERIOR DOWNLIGHT

CEILING RECESSED • BACK PANEL MOUNTING

TOP 5 COMFORT

Frameless round lighting fixture with recessed lighting source for very low glare. Different optics allow precise control of beam spread and shape. Comfort downlights combine quality light with a sleek design.

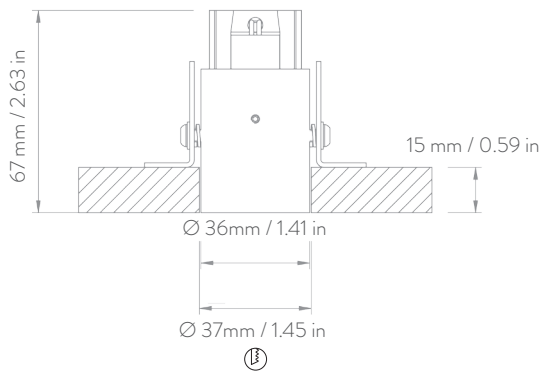
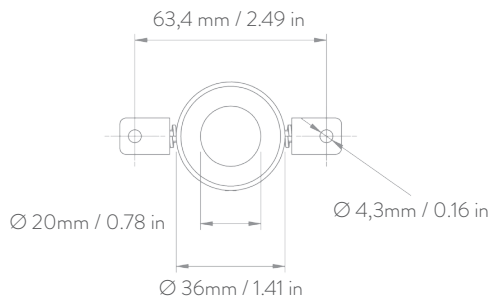
Materials: hard anodised aluminium body with PMMA lens.

Finishes: standard plus custom colours available in several palettes, including matte or gloss varnish.

Applications: suitable for accent lighting when visual comfort is a design priority.



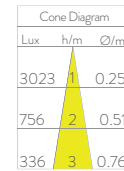
DRAWING



PHOTOMETRIC DIAGRAMS

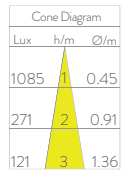
LENS: NARROW
BEAM: 15°

Lumen: 239
Watt: 4
Lm/W: 60
CCT: 3000K
CRI: 92 TYP



LENS: MEDIUM
BEAM: 25°

Lumen: 237
Watt: 4
Lm/W: 59
CCT: 3000K
CRI: 92 TYP



Note: photometric diagrams have been measured using lacquered RAL9010 gloss body; in case of different finishes, please consider implications on lumen output and luminous distribution.

BODY FINISHES

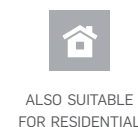
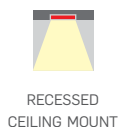
LACQUERED
RAL9010 GLOSS

LACQUERED
MATTE BLACK

ANTIQU
BRONZE



ITEMS	LENSES	COLOR TEMP.	POWER SUPPLY		FRAME FINISHES		
CODE	NARROW MEDIUM	2700K 3000K 4000K	CLL Vdc 24-32 DRIVER INCLUDED	CSL Vf 11.3 If 350 mA DRIVER NOT INCLUDED	LACQUERED RAL9010 GLOSS	LACQUERED MATTE BLACK	ANTIQU BRONZE
20COM5R	NB - MB	2 - 3 - 4	D	- N	LA	- LB	- AB



Note: Depending on the choice of finish, thickness of the product can vary up to 0,2 mm. Information provided with this document may be subject to change at any time without notice.