

SEALED MY13



DESCRIPTION:

The SEALED® MY series introduces the widest and most innovative range of underwater lights for megayachts. All SEALED® lights are serviceable from inside the yacht for a quick and easy inspection of the light body.

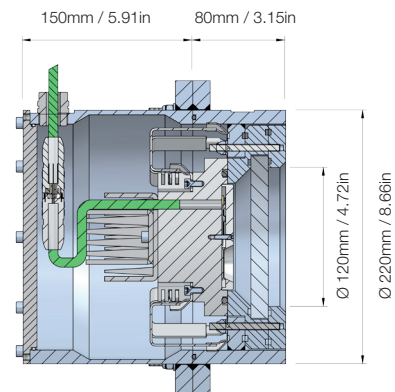
SEALED® MY lights are more powerful to create a beautiful halo effect around the yacht. They are born to guarantee the maximum safety onboard: three barriers are interposed between the hull and the inside of the yacht to ensure a perfect watertight protection in respect of the marine certifications.

ORDER CODE: 90SEALEMY13SS



LIGHT TECHNICAL DATA:

- Power: 160 W
- Lumens: 13.000
- Power Supply: 24 V DC
- Current / Amp draw: 6,5 A @ 24 V DC
- Efficiency: 81 Lm/W
- Color Temperature: 5.000 K
- Optional Power Supply: 110 - 220 V AC



LIGHT POSITIONING:

In order to create the best lighting effect around the yacht, we will provide advice about quantity, depth of fixture and spacing between each SEALED®.

The effect in the water can vary from straight spears of light to a nice and relaxing halo around the hull simply positioning the lights at the desired distance one from the other.

As a general rule we recommend placing the lights at a maximum distance of 5mt one from the other.

