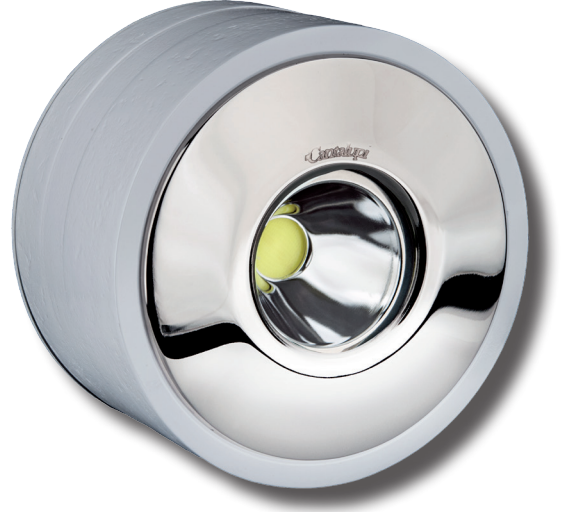


# SEALED SY5



## DESCRIPTION:

The SEALED® SY series is part of the widest and most innovative range of underwater lights for superyachts. All SEALED® lights are serviceable from inside the yacht for a quick and easy inspection of the light body. SEALED® SY lights are very powerful to create a beautiful halo effect around the yacht. They are born to guarantee the maximum safety onboard: three barriers are interposed between the hull and the inside of the yacht to assure a perfect watertight protection in respect of the marine certifications.

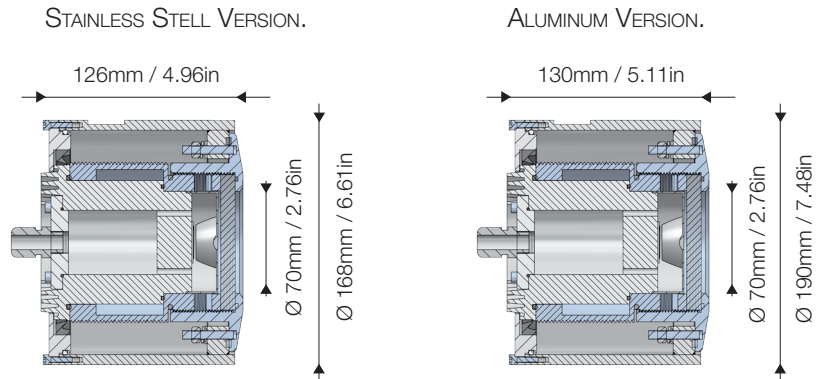


STAINLESS STEEL CODE: 90SEALESY5SSACC

ALUMINUM CODE: 90SEALESY5AAN

## LIGHT TECHNICAL DATA:

- Power: 40 W
- Lumens: 5.000
- Power Supply: 24 V DC
- Current / Amp draw: 1,7 A @ 24 V DC
- Efficiency: 106 Lm/W
- Color Temperature: 5.000 Kelvin
- Optional Power Supply: 110 - 220 V AC
- Also available in Blue color



## LIGHT POSITIONING:

In order to create the best lighting effect around the yacht, we will provide advice about quantity, depth of fixture and spacing between each SEALED®.

The effect in the water can vary from straight spears of light to a nice and relaxing halo around the hull simply positioning the lights at the desired distance one from the other.

As a general rule we recommend placing the lights at a maximum distance of 4mt one from the other.

