

SEALED SYR2



DESCRIPTION:

The SEALED® SYR2 brings millions of colours into your life. Any colour can be selected to best suit your personal taste or to maximize the effect in the water in every condition. Colours can be controlled via any devices with a colour palette through a third party interface. The most advanced LEDs can combine up to 16 million shades of colours for a superior effect in the water.

SEALED® SYR2 includes the cofferdam, the IP65 rated driver at 24VDC and 2mt power cable with IP68 Souriau Plug & Play connectors.

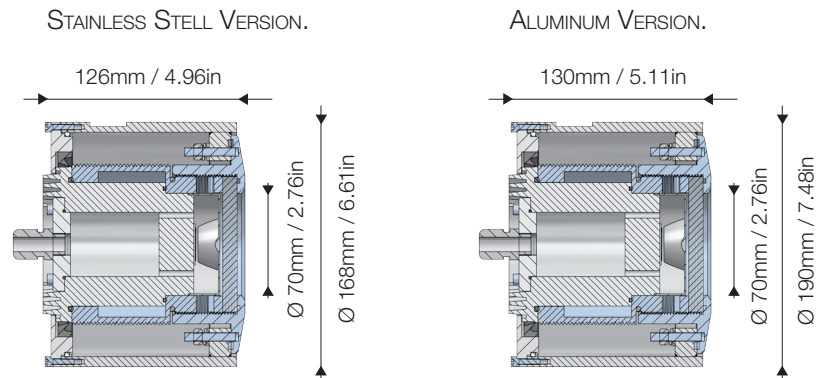
STAINLESS STEEL CODE: 90SEALESYR2SSACC

ALUMINUM CODE: 90SEALESYR2AAN



LIGHT TECHNICAL DATA:

- Power: 130 W
- Power Supply: 24 V DC
- Current / Amp draw: 5 A @ 24 V DC
- Efficiency: 20 Lm/W
- Color Temperature: RGB+W
- Optional Power Supply: 110 - 220 V AC



LIGHT POSITIONING:

In order to create the best lighting effect around the yacht, we will provide advice about quantity, depth of fixture and spacing between each SEALED®.

The effect in the water can vary from straight spears of light to a nice and relaxing halo around the hull simply positioning the lights at the desired distance one from the other.

As a general rule we recommend placing the lights at a maximum distance of 2,5mt one from the other.

