

MICRO FAL

Product Information

Recessed LED mini spot lights whit symmetrical light distribution on a narrow beam.
 Micro are the best solution to create powerful light accents adding amazing effects to every ambience.
 Very low installation depht required.
 Round Frame.

Dimensions:

- Ø 41 mm / 1.61 in (diameter)
- 46 mm / 1.81 in (height)
- Ø 25 mm / 0.98 in (recessed hole)

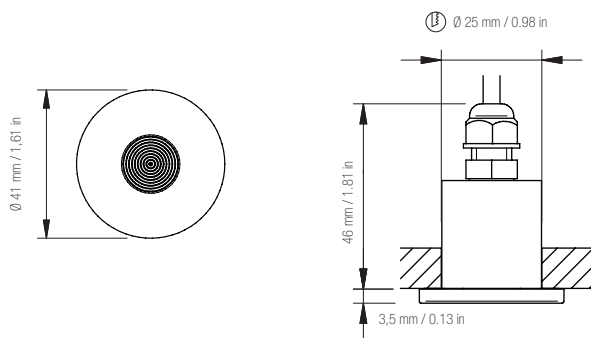
Materials:

- Body (ALLUMINUM)
- Frame (AISI 316L STAINLESS STEEL)
- Protective diffuser (LENS)

Note : Driver not included. CSL



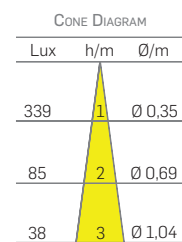
Drawing



Photometric measurement

BEAM: 20°

Lumen: 70
 Watt: 1,5
 Lm/W: 47
 CCT: 3000K
 CRI: 80 TYP



ITEMS (Product)	POWER SUPPLY		ITEMS (Product)	BODY FINISHES	ITEMS (Product)	COLOR TEMP
CODE	CLL 24 - 32 Vdc 3W 3000K DRIVER NOT INCLUDED	CSL Vf = 3VDC If = 500 mA DRIVER NOT INCLUDED	CODE	STAINLESS STEEL	CODE	2700K 3000K
C20MICRO	CLL	CSL	FAL	SS	PGM8	270-300



RECESSED



SOLIDS & LIQUIDS
PROTECTION RATING



FIRE
PROTECTION



ELECTRICAL SHOCK
CLASS PROTECTION



EUROPEAN
COMFORMITY



ALSO SUITABLE
FOR RESIDENTIAL