

HOUSING SPRING MOUNT

EXTERIOR
DOWNLIGHT



780lm MAX LUMINOUS FLUX

9W TOTAL POWER

CEILING·BULWARK·RECESSED

STEEL 8S HSP - AG

Square lighting fixture with aluminium anti-glare ring and beam angle options for different light distributions. Protection glass is positioned between frame and anti-glare. With STEEL 8 Series elegant design meets high output and optimal efficiency, in a watertight assembly.

Materials: AISI 316L stainless steel body, hard anodised aluminium heat sink and anti-glare and PMMA lens. Housing options are stainless steel, aluminium and plastic.

Finishes: frame comes in standard plus custom colours on request.

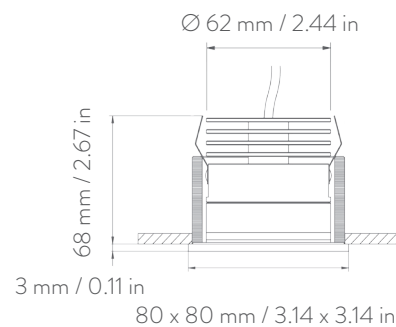
Applications: suitable for general and uniform lighting of outdoor areas and side decks, these downlights cover all design needs when combined with smaller products and optimal beam angle selection.



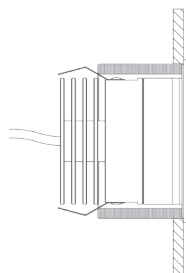
WITH ANTI-GLARE

DRAWING

CEILING MOUNT



BULWARK MOUNT



PHOTOMETRIC DIAGRAMS

LENS: MEDIUM
BEAM: 21°

Lumen: 754
Watt: 9
Lm/W: 83
CCT: 3000K
CRI: 92 TYP

Cone Diagram		
Lux	h/m	Ø/m
3646	1	0.37
912	2	0.74
405	3	1.11

LENS: WIDE
BEAM: 38°

Lumen: 779
Watt: 9
Lm/W: 86
CCT: 3000K
CRI: 92 TYP

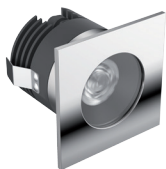
Cone Diagram		
Lux	h/m	Ø/m
1647	1	0.69
412	2	1.38
183	3	2.07

LED TYPE: CREE®

Note : according to the choice of accessories (sanded glass), please consider the implications on the lumen output and the luminous distribution.

BODY FINISHES W/ANTI-GLARE

STAINLESS STEEL



LACQUERED
RAL9010 GLOSS



ACCESSORIES

SANDED
GLASS



STAINLESS STEEL
WELD HOUSING



ALUMINIUM
WELD HOUSING



PLASTIC
GLUED HOUSING



ITEMS

LENSES

COLOUR TEMP.

POWER SUPPLY

BODY FINISHES

ACCESSORIES

CODE

MEDIUM
WIDE

2700K
3000K
4000K

CLL
Vdc 24-32
DRIVER
INCLUDED

CSL
Vf18 If500 mA
DRIVER
NOT INCLUDED

STAINLESS
STEEL

LACQUERED
RAL9010
GLOSS

SANDED
GLASS

S.STEEL
HOUSING

ALUMINIUM
HOUSING

PLASTIC
HOUSING

20SSHS8

MB - WB

2 - 3 - 4

D - N

SB - LB

SG

MODEL
ON
REQUEST

MODEL
ON
REQUEST

MODEL
ON
REQUEST



RECESSED
BULWARK MOUNT



RECESSED
CEILING MOUNT



SOLIDS & LIQUIDS
PROTECTION RATING



FIRE
PROTECTION



ELECTRICAL SHOCK
CLASS PROTECTION



EUROPEAN
CONFORMITY



ALSO SUITABLE
FOR RESIDENTIAL

Note : Depending on the choice of finish, thickness of the product can vary up to 0.2 mm. Information provided with this document may be subject to change at any time without notice.

RELEASED ON 21.07.2017