

FALK S CANO

LED courtesy light with asymmetric light emission and a high degree of protection, without screw in view. Falk S is suitable to enlighten pathways for orientation, contribute to security on stairs and identify spaces with light accents. Low installation depth required.

Dimensions

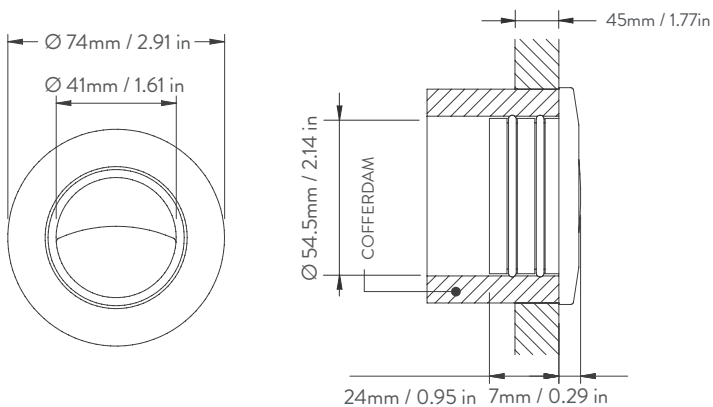
Frame dimension: Ø 74 mm / 2.91 in
 Height: 45 mm / 1.77 in
 Cut out: Ø 73 mm / 2.87 in

Materials

Body / Frame: Aisi 316L Stainless Steel
 Protective glass: Sanded Glass



Drawings



Technical Data

POWER: 1W
 CRI: 80

HOUSING AVAILABLE ON REQUEST | CODE: **25FALSAPE**

ALUMINIUM

S.STEEL



AANINC (GLUED)

IGINC (GLUED)

ITEMS	FINISHES	POWER SUPPLY		COLOR TEMP.
CODE	POLISHED S/STEEL	CLL Vdc 24 DRIVER INCLUDED	CSL Vf 3 If 350 mA DRIVER NOT INCLUDED	3000K
30 FALK CANB1X3	SS	CLL	- CSL	3000



RECESSED MOUNT



SOLIDS & LIQUIDS PROTECTION RATING



FIRE PROTECTION



ELECTRICAL SHOCK CLASS PROTECTION



EUROPEAN COMFORMITY

Information provided with this document may be subject to change at any time.

RELEASED ON 13.05.2019