

FALK S

LED courtesy light with asymmetric light emission and a high degree of protection, without screw in view. Falk S is suitable to enlighten pathways for orientation, contribute to security on stairs and identify spaces with light accents. Low installation depth required.

Dimensions

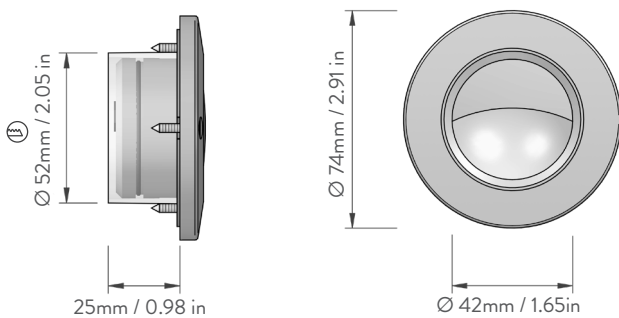
Frame dimension: Ø 74 mm / 2.91 in
 Height: 25 mm / 0.98 in
 Cut out: Ø 52 mm / 2.04 in

Materials

Body: Polycarbonate
 Frame: Aisi 316L Stainless Steel
 Protective glass: Sanded Polycarbonate



Drawings



Technical Data

POWER: 1W
 CRI: 80

ITEMS	POWER SUPPLY	COLOR TEMP.	FINISHES
CODE	CLL Vdc 24 DRIVER INCLUDED CSL Vf 3 If 350 mA DRIVER NOT INCLUDED	3000K	POLISHED S/STEEL
30 FALK03	D - N	3	SS



RECESSED
MOUNT



SOLIDS & LIQUIDS
PROTECTION RATING



FIRE
PROTECTION



ELECTRICAL SHOCK
CLASS PROTECTION



EUROPEAN
COMFORMITY

Information provided with this document may be subject to change at any time.

RELEASED ON 13.05.2019