

BULWARK - RECESSED



EXTERIOR DOWNLIGHT

HOUSING MOUNTING

STEEL 5R H - AG

Round lighting fixture with anti-glare ring and beam angle options for different light distributions. STEEL 5 Series combines quality light, sleek design and small size in a watertight assembly.

Materials:

AISI 316L stainless steel body, hard anodised aluminium heat sink and anti-glare and PMMA lens. Housing options are stainless steel, aluminium and plastic.

Finishes:

Frame comes in standard plus custom colours on request.

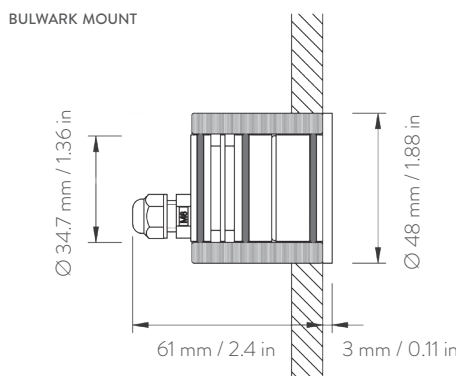
Applications:

Suitable for accent lighting of outdoor areas and side decks, with lighting effect depending on selected beam angle.



WITH ANTI-GLARE

DRAWING



PHOTOMETRIC DIAGRAMS

LENS: NARROW
BEAM: 14°

Cone Diagram		
Lux	h/m	Ø/m
3156	1	0.25
789	2	0.50
351	3	0.75

Lumen: 300
Watt: 4
Lm/W: 75
CCT: 3000K
CRI: 92 TYP

LENS: MEDIUM
BEAM: 26°

Cone Diagram		
Lux	h/m	Ø/m
1334	1	0.46
334	2	0.92
148	3	1.37

Lumen: 328
Watt: 4
Lm/W: 82
CCT: 3000K
CRI: 92 TYP

LED TYPE: CREE®

Note : according to the choice of accessories (sanded glass), please consider the implications on the lumen output and the luminous distribution.

LENS: WIDE
BEAM: 35°

Cone Diagram		
Lux	h/m	Ø/m
648	1	0.63
162	2	1.27
72	3	1.90

Lumen: 274
Watt: 4
Lm/W: 68
CCT: 3000K
CRI: 92 TYP

BODY FINISHES

W/ANTI-GLARE

ACCESSORIES

STAINLESS STEEL



LACQUERED
RAL9010 GLOSS



SANDED
GLASS



HOUSINGS AVAILABLE ON REQUEST | CODE: 25STEEL5ORIAPE

STAINLESS STEEL



IGINC (GLUED)
IGSAL (WELDED)

ALUMINIUM



ALINC (GLUED)
ALSAL (WELDED)

PLASTIC



PVCINC (GLUED)

ITEMS

LENSES

COLOUR TEMP.

POWER SUPPLY

BODY FINISHES

ACCESSORIES

CODE

NARROW
MEDIUM
WIDE

2700K
3000K
4000K

CLL
Vdc 24-32
DRIVER
INCLUDED

CSL
Vf 11.3 If 350 mA
DRIVER
NOT INCLUDED

POLISHED
STAINLESS
STEEL

LACQUERED
RAL9010
GLOSS

SANDED
GLASS

20SRH5

NB - MB - WB

2 - 3 - 4

D - N

SB - LB

SG



RECESSED
BULWARK MOUNT



SOLIDS & LIQUIDS
PROTECTION RATING



FIRE
PROTECTION



ELECTRICAL SHOCK
CLASS PROTECTION



EUROPEAN
CONFORMITY

Information provided with this document may be subject to change at any time.

RELEASED ON 13.05.2019