

# CEILING - BULWARK - RECESSED



EXTERIOR DOWNLIGHT

HOUSING SPRING MOUNTING

## STEEL 5R HSP - AG

Round lighting fixture with anti-glare ring and beam angle options for different light distributions. STEEL 5 Series combines quality light, sleek design and small size in a watertight assembly.

### Materials:

AISI 316L stainless steel body, hard anodised aluminium heat sink and anti-glare and PMMA lens. Housing options are stainless steel, aluminium and plastic.

### Finishes:

Frame comes in standard plus custom colours on request.

### Applications:

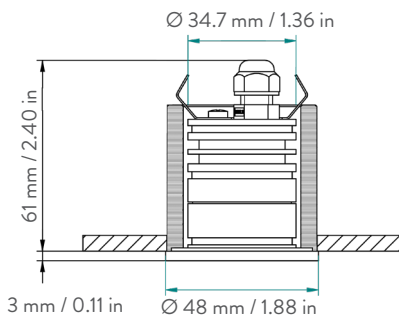
Suitable for accent lighting and general lighting of outdoor areas and side decks, with lighting effect depending on selected beam angle.



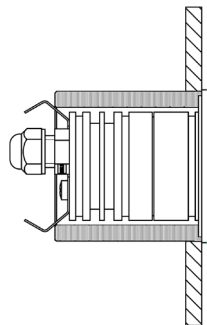
WITH ANTI-GLARE

### DRAWING

CEILING MOUNT



BULWARK MOUNT



### PHOTOMETRIC DIAGRAMS

LENS: NARROW  
BEAM: 14°

Lumen: 300  
Watt: 4  
Lm/W: 75  
CCT: 3000K  
CRI: 92 TYP

Cone Diagram		
Lux	h/m	Ø/m
3156	1	0.25
789	2	0.50
351	3	0.75

LENS: MEDIUM  
BEAM: 26°

Lumen: 328  
Watt: 4  
Lm/W: 82  
CCT: 3000K  
CRI: 92 TYP

Cone Diagram		
Lux	h/m	Ø/m
1334	1	0.46
334	2	0.92
148	3	1.37

LED TYPE: CREE®

Note : according to the choice of accessories (sanded glass), please consider the implications on the lumen output and the luminous distribution.

LENS: WIDE  
BEAM: 35°

Lumen: 274  
Watt: 4  
Lm/W: 68  
CCT: 3000K  
CRI: 92 TYP

Cone Diagram		
Lux	h/m	Ø/m
648	1	0.63
162	2	1.27
72	3	1.90

### BODY FINISHES

w/ANTI-GLARE

STAINLESS STEEL



LACQUERED  
RAL9010 GLOSS



### ACCESSORIES

SANDED  
GLASS



### HOUSINGS AVAILABLE ON REQUEST | CODE: 25STEEL5HSP

STAINLESS STEEL



IGINC (GLUED)  
IGSAL (WELDED)

ALUMINIUM



ALINC (GLUED)  
ALSAL (WELDED)

PLASTIC



PVCINC (GLUED)

ITEMS

LENSES

COLOUR TEMP.

POWER SUPPLY

BODY FINISHES

ACCESSORIES

CODE	NARROW MEDIUM WIDE	2700K 3000K 4000K	CLL Vdc 24-32 DRIVER INCLUDED	CSL Vf 11.3 If 350 mA DRIVER NOT INCLUDED	POLISHED STAINLESS STEEL	LACQUERED RAL9010 GLOSS	SANDED GLASS
------	--------------------------	-------------------------	--	--	--------------------------------	-------------------------------	-----------------

20SRHS5

NB - MB - WB

2 - 3 - 4

D - N

SB - LB

SG



RECESSED  
BULWARK MOUNT



RECESSED  
CEILING MOUNT



SOLIDS & LIQUIDS  
PROTECTION RATING



FIRE  
PROTECTION



ELECTRICAL SHOCK  
CLASS PROTECTION



EUROPEAN  
CONFORMITY

Information provided with this document may be subject to change at any time.

RELEASED ON 13.05.2019