

# CEILING - RECESSED



EXTERIOR DOWNLIGHT

SPRING MOUNTING

## STEEL 5R SP - AG

Round lighting fixture with anti-glare ring and beam angle options for different light distributions. STEEL 5 Series combines quality light, sleek design and small size in a watertight assembly.

### Materials:

AISI 316L stainless steel body, hard anodised aluminium heat sink and anti-glare and PMMA lens.

Housing options are stainless steel, aluminium and plastic.

### Finishes:

Frame comes in standard plus custom colours on request.

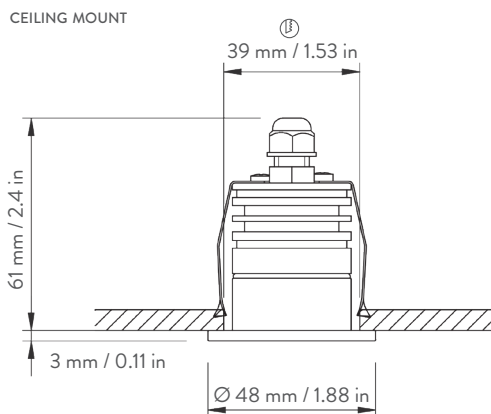
### Applications:

Suitable for accent lighting and general lighting of outdoor areas and side decks, with lighting effect depending on selected beam angle.



WITH ANTI-GLARE

### DRAWING



### PHOTOMETRIC DIAGRAMS

LENS: NARROW  
BEAM: 14°

Lumen: 300  
Watt: 4  
Lm/W: 75  
CCT: 3000K  
CRI: 92 TYP

| Cone Diagram |     |      |
|--------------|-----|------|
| Lux          | h/m | Ø/m  |
| 3156         | 1   | 0.25 |
| 789          | 2   | 0.50 |
| 351          | 3   | 0.75 |

LENS: MEDIUM  
BEAM: 26°

Lumen: 328  
Watt: 4  
Lm/W: 82  
CCT: 3000K  
CRI: 92 TYP

| Cone Diagram |     |      |
|--------------|-----|------|
| Lux          | h/m | Ø/m  |
| 1334         | 1   | 0.46 |
| 334          | 2   | 0.92 |
| 148          | 3   | 1.37 |

LED TYPE: CREE®

Note : according to the choice of accessories (sanded glass), please consider the implications on the lumen output and the luminous distribution.

LENS: WIDE  
BEAM: 35°

Lumen: 274  
Watt: 4  
Lm/W: 68  
CCT: 3000K  
CRI: 92 TYP

| Cone Diagram |     |      |
|--------------|-----|------|
| Lux          | h/m | Ø/m  |
| 648          | 1   | 0.63 |
| 162          | 2   | 1.27 |
| 72           | 3   | 1.90 |

### BODY FINISHES W/ANTI-GLARE

STAINLESS STEEL



LACQUERED  
RAL9010 GLOSS



SANDED  
GLASS



### ACCESSORIES

| ITEMS   | LENSES                   | COLOUR TEMP.            | POWER SUPPLY   | BODY FINISHES   | ACCESSORIES     |
|---------|--------------------------|-------------------------|--|---|-----------------|
| CODE    | NARROW<br>MEDIUM<br>WIDE | 2700K<br>3000K<br>4000K | CLL<br>Vdc 24-32<br>DRIVER<br>INCLUDED<br>CSL<br>Vf 11.3 If 350 mA<br>DRIVER<br>NOT INCLUDED | POLISHED<br>STAINLESS<br>STEEL<br>LACQUERED<br>RAL9010<br>GLOSS | SANDED<br>GLASS |
| 20SRSP5 | NB - MB - WB             | 2 - 3 - 4               | D - N  | SB - LB   | SG              |



Information provided with this document may be subject to change at any time.

RELEASED ON 13.05.2019