

STEEL 5R U H - AG

Round lighting fixture with anti-glare ring and beam angle options for different light distributions. STEEL 5 Series combines quality light, sleek design and small size in a watertight assembly.

Materials:

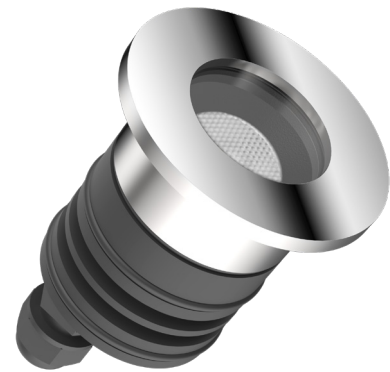
AISI 316L stainless steel body, hard anodised aluminium heat sink and anti-glare and PMMA lens.

Finishes:

Frame comes in standard plus custom colours on request.

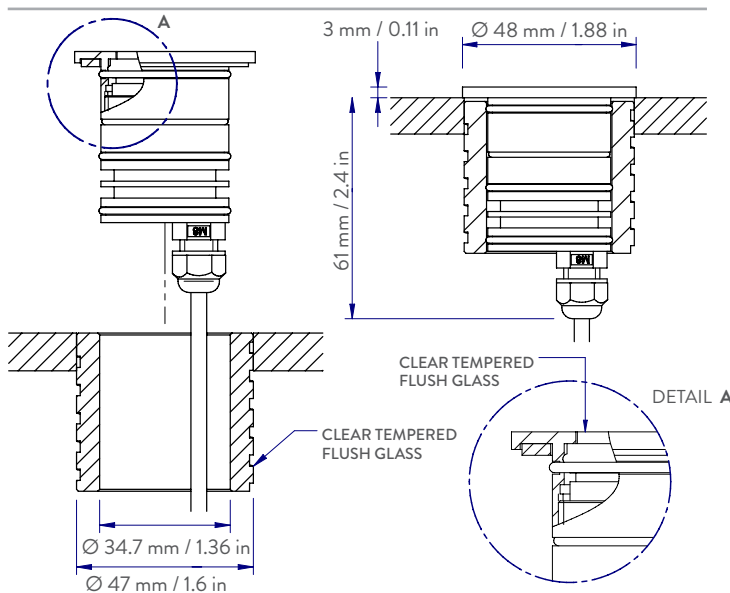
Applications:

Suitable to create light accents adding amazing effects to every setting.



WITH ANTI-GLARE

DRAWING



PHOTOMETRIC DIAGRAMS

LENS: NARROW
BEAM: 14°

Lumen: 300
Watt: 4
Lm/W: 75
CCT: 3000K
CRI: 92 TYP

Cone Diagram		
Lux	h/m	Ø/m
3156	1	0.25
789	2	0.50
351	3	0.75

LENS: MEDIUM
BEAM: 26°

Lumen: 328
Watt: 4
Lm/W: 82
CCT: 3000K
CRI: 92 TYP

Cone Diagram		
Lux	h/m	Ø/m
1334	1	0.46
334	2	0.92
148	3	1.37

LED TYPE: CREE®

Note : according to the choice of accessories (sanded glass), please consider the implications on the lumen output and the luminous distribution.

LENS: WIDE
BEAM: 35°

Lumen: 274
Watt: 4
Lm/W: 68
CCT: 3000K
CRI: 92 TYP

Cone Diagram		
Lux	h/m	Ø/m
648	1	0.63
162	2	1.27
72	3	1.90

BODY FINISHES W/ANTI-GLARE

STAINLESS STEEL



LACQUERED RAL9010 GLOSS



ACCESSORIES

SANDED GLASS



HOUSINGS AVAILABLE ON REQUEST | CODE: 25STEEL5ORIAPE

STAINLESS STEEL



IGINC (GLUED)
IGSAL (WELDED)

ALUMINIUM



ALINC (GLUED)
ALSAL (WELDED)

PLASTIC



PVCINC (GLUED)

ITEMS LENSES COLOUR TEMP. POWER SUPPLY BODY FINISHES ACCESSORIES

CODE	NARROW MEDIUM WIDE	2700K 3000K 4000K	CLL Vdc 24-32 DRIVER INCLUDED	CSL Vf 11.3 If 350 mA DRIVER NOT INCLUDED	POLISHED STAINLESS STEEL	LACQUERED RAL9010 GLOSS	SANDED GLASS
------	--------------------------	-------------------------	--	--	--------------------------------	-------------------------------	-----------------

20SRHU5

NB - MB - WB

2 - 3 - 4

D - N

SB - LB

SG



Information provided with this document may be subject to change at any time.

RELEASED ON 13.05.2019