

# BULWARK - RECESSED



## EXTERIOR DOWNLIGHT

## HOUSING MOUNTING

### STEEL 5S H - AG

Square lighting fixture with anti-glare ring and beam angle options for different light distributions. STEEL 5 Series combines quality light, sleek design and small size in a watertight assembly.

#### Materials:

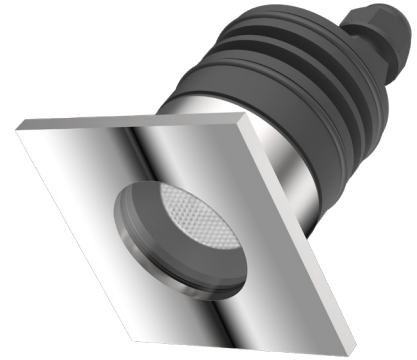
AISI 316L stainless steel body, hard anodised aluminium heat sink and anti-glare and PMMA lens. Housing options are stainless steel, aluminium and plastic.

#### Finishes:

Frame comes in standard plus custom colours on request.

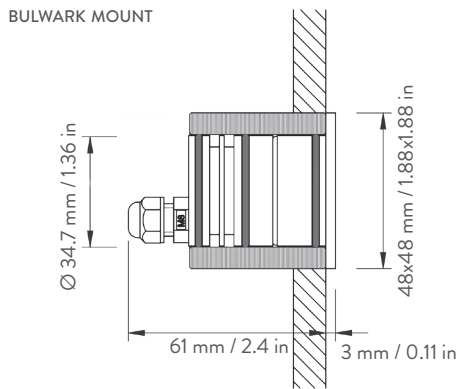
#### Applications:

Suitable for accent lighting of outdoor areas and side decks, with lighting effect depending on selected beam angle.



WITH ANTI-GLARE

#### DRAWING



#### PHOTOMETRIC DIAGRAMS

LENS: NARROW  
BEAM: 14°

Cone Diagram		
Lux	h/m	Ø/m
3156	1	0.25
789	2	0.50
351	3	0.75

Lumen: 300  
Watt: 4  
Lm/W: 75  
CCT: 3000K  
CRI: 92 TYP

LENS: MEDIUM  
BEAM: 26°

Cone Diagram		
Lux	h/m	Ø/m
1334	1	0.46
334	2	0.92
148	3	1.37

Lumen: 328  
Watt: 4  
Lm/W: 82  
CCT: 3000K  
CRI: 92 TYP

LED TYPE: CREE®

Note : according to the choice of accessories (sanded glass), please consider the implications on the lumen output and the luminous distribution.

LENS: WIDE  
BEAM: 35°

Cone Diagram		
Lux	h/m	Ø/m
648	1	0.63
162	2	1.27
72	3	1.90

Lumen: 274  
Watt: 4  
Lm/W: 68  
CCT: 3000K  
CRI: 92 TYP

#### BODY FINISHES

#### W/ANTI-GLARE

#### ACCESSORIES

##### STAINLESS STEEL



##### LACQUERED RAL9010 GLOSS



##### SANDED GLASS



#### HOUSINGS AVAILABLE ON REQUEST | CODE: 25STEEL5ORIAPE

##### STAINLESS STEEL



IGINC (GLUED)  
IGSAL (WELDED)

##### ALUMINIUM



ALINC (GLUED)  
ALSAL (WELDED)

##### PLASTIC



PVCINC (GLUED)

ITEMS	LENSES	COLOUR TEMP.	POWER SUPPLY	BODY FINISHES	ACCESSORIES
CODE	NARROW MEDIUM WIDE	2700K 3000K 4000K	CLL Vdc 24-32 DRIVER INCLUDED CSL Vf 11.3 If 350 mA DRIVER NOT INCLUDED	POLISHED STAINLESS STEEL LACQUERED RAL9010 GLOSS	SANDED GLASS
20SSH5	NB - MB - WB	2 - 3 - 4	D - N	SB - LB	SG



Information provided with this document may be subject to change at any time.

RELEASED ON 13.05.2019