

CEILING - BULWARK - RECESSED



EXTERIOR DOWNLIGHT

HOUSING SPRING MOUNTING

STEEL 5S HSP - AG

Square lighting fixture with anti-glare ring and beam angle options for different light distributions. STEEL 5 Series combines quality light, sleek design and small size in a watertight assembly.

Materials:

AISI 316L stainless steel body, hard anodised aluminium heat sink and anti-glare and PMMA lens. Housing options are stainless steel, aluminium and plastic.

Finishes:

Frame comes in standard plus custom colours on request.

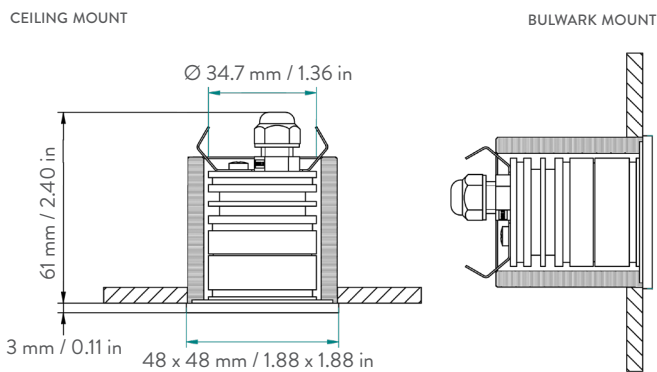
Applications:

Suitable for accent lighting and general lighting of outdoor areas and side decks, with lighting effect depending on selected beam angle.



WITH ANTI-GLARE

DRAWING



PHOTOMETRIC DIAGRAMS

LENS: NARROW
BEAM: 14°

Lumen: 300
Watt: 4
Lm/W: 75
CCT: 3000K
CRI: 92 TYP

Cone Diagram		
Lux	h/m	Ø/m
3156	1	0.25
789	2	0.50
351	3	0.75

LENS: MEDIUM
BEAM: 26°

Lumen: 328
Watt: 4
Lm/W: 82
CCT: 3000K
CRI: 92 TYP

Cone Diagram		
Lux	h/m	Ø/m
1334	1	0.46
334	2	0.92
148	3	1.37

LED TYPE: CREE®

Note : according to the choice of accessories (sanded glass), please consider the implications on the lumen output and the luminous distribution.

LENS: WIDE
BEAM: 35°

Lumen: 274
Watt: 4
Lm/W: 68
CCT: 3000K
CRI: 92 TYP

Cone Diagram		
Lux	h/m	Ø/m
648	1	0.63
162	2	1.27
72	3	1.90

BODY FINISHES

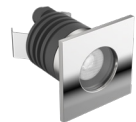
W/ANTI-GLARE

ACCESSORIES

STAINLESS STEEL

LACQUERED
RAL9010 GLOSS

SANDED
GLASS



HOUSINGS AVAILABLE ON REQUEST | CODE: 25STEEL5HSP

STAINLESS STEEL

ALUMINIUM

PLASTIC



IGINC (GLUED)
IGSAL (WELDED)

ALINC (GLUED)
ALSAL (WELDED)

PVCINC (GLUED)

ITEMS

LENSES

COLOUR TEMP.

POWER SUPPLY

BODY FINISHES

ACCESSORIES

CODE

NARROW
MEDIUM
WIDE

2700K
3000K
4000K

CLL V_{dc} 24-32
DRIVER INCLUDED
CSL V_f 11.3 If 350 mA
DRIVER NOT INCLUDED

POLISHED
STAINLESS
STEEL
LACQUERED
RAL9010
GLOSS

SANDED
GLASS

20SSH55

NB - MB - WB

2 - 3 - 4

D - N

SB - LB

SG



RECESSED
BULWARK MOUNT



RECESSED
CEILING MOUNT



SOLIDS & LIQUIDS
PROTECTION RATING



FIRE
PROTECTION



ELECTRICAL SHOCK
CLASS PROTECTION



EUROPEAN
CONFORMITY

Information provided with this document may be subject to change at any time.

RELEASED ON 13.05.2019