

CEILING - RECESSED



EXTERIOR DOWNLIGHT

SPRING MOUNTING

STEEL 5S SP - AG

Square lighting fixture with anti-glare ring and beam angle options for different light distributions. STEEL 5 Series combines quality light, sleek design and small size in a watertight assembly.

Materials:

AISI 316L stainless steel body, hard anodised aluminium heat sink and anti-glare and PMMA lens.

Finishes:

Frame comes in standard plus custom colours on request.

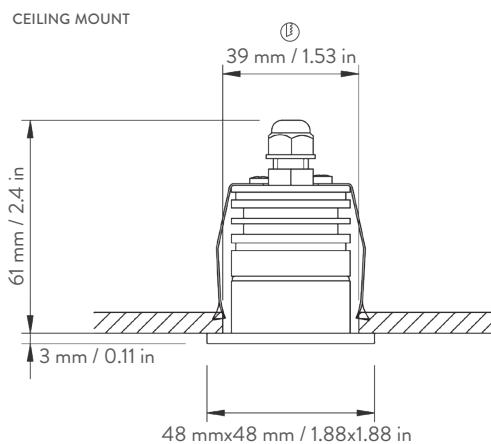
Applications:

Suitable for accent lighting and general lighting of outdoor areas and side decks, with lighting effect depending on selected beam angle.



WITH ANTI-GLARE

DRAWING



PHOTOMETRIC DIAGRAMS

LENS: NARROW
BEAM: 14°

Cone Diagram		
Lux	h/m	Ø/m
3156	1	0.25
789	2	0.50
351	3	0.75

Lumen: 300
Watt: 4
Lm/W: 75
CCT: 3000K
CRI: 92 TYP

LENS: MEDIUM
BEAM: 26°

Cone Diagram		
Lux	h/m	Ø/m
1334	1	0.46
334	2	0.92
148	3	1.37

Lumen: 328
Watt: 4
Lm/W: 82
CCT: 3000K
CRI: 92 TYP

LED TYPE: CREE®

Note : according to the choice of accessories (sanded glass), please consider the implications on the lumen output and the luminous distribution.

LENS: WIDE
BEAM: 35°

Cone Diagram		
Lux	h/m	Ø/m
648	1	0.63
162	2	1.27
72	3	1.90

Lumen: 274
Watt: 4
Lm/W: 68
CCT: 3000K
CRI: 92 TYP

BODY FINISHES W/ANTI-GLARE

STAINLESS STEEL



LACQUERED
RAL9010 GLOSS



SANDED
GLASS



ACCESSORIES

ITEMS	LENSES	COLOUR TEMP.	POWER SUPPLY	BODY FINISHES	ACCESSORIES		
CODE	NARROW MEDIUM WIDE	2700K 3000K 4000K	CLL Vdc 24-32 DRIVER INCLUDED	CSL Vf 11.3 If 350 mA DRIVER NOT INCLUDED	POLISHED STAINLESS STEEL	LACQUERED RAL9010 GLOSS	SANDED GLASS
20SSSP5	NB - MB - WB	2 - 3 - 4	D - N	SB - LB	SG		



RECESSED
CEILING MOUNT



SOLIDS & LIQUIDS
PROTECTION RATING



FIRE
PROTECTION



ELECTRICAL SHOCK
CLASS PROTECTION



EUROPEAN
CONFORMITY

Information provided with this document may be subject to change at any time.

RELEASED ON 13.05.2019