

# CEILING - RECESSED - EXTRACTABLE



EXTERIOR DOWNLIGHT

BACK-PANEL MOUNTING

## STEEL 6 COMFORT PM

Frameless round lighting fixture with recessed adjustable lighting source for very low glare. Different optics allow precise control of beam spread and shape. Frameless downlight combine quality light with a sleek design and a simple detachment from below to the panel. Two different positionings are possible. The spot is fixed to the bushing also with a security cable.

**Dimensions:**

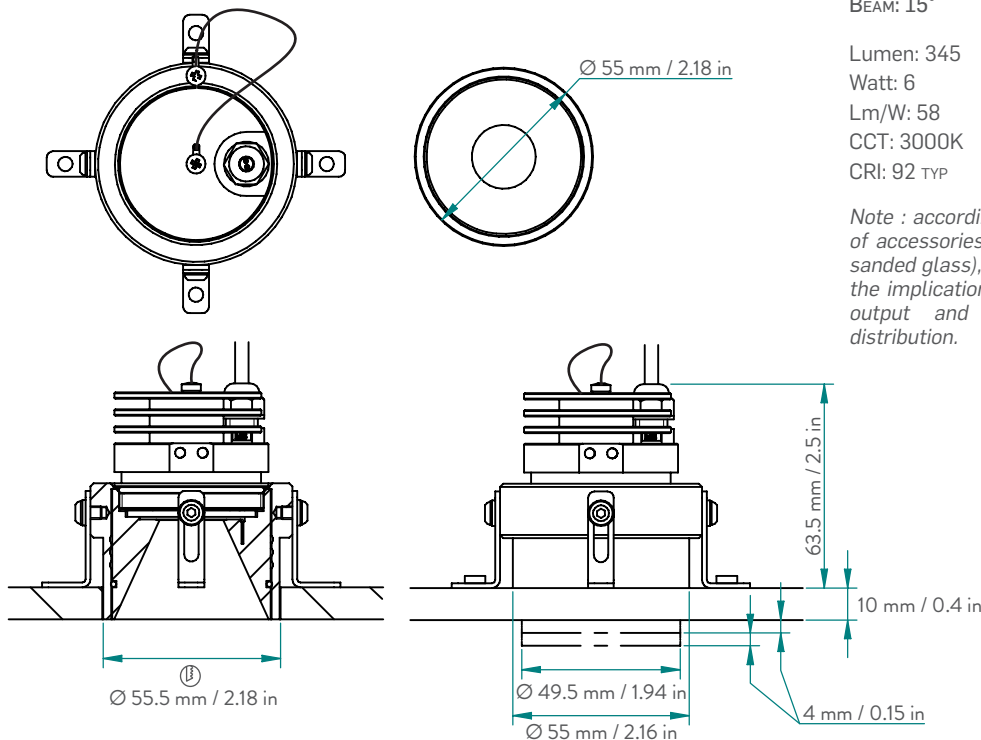
Frame dimension: Ø 55 mm / 2.16 in  
 Height: 73.5 mm / 2.89 in  
 Cut out: 55.5 mm / 2.18 in

**Materials:**

Heat-sink: Anodized Aluminium  
 Body / Bushing: AISI 316L Stainless Steel  
 Protective glass: Clear glass



**Drawing**



**Photometric Diagrams**

LENS: NARROW  
 BEAM: 15°

Lumen: 345  
 Watt: 6  
 Lm/W: 58  
 CCT: 3000K  
 CRI: 92 TYP

Cone Diagram		
Lux	h/m	Ø/m
4009	1	0.26
1002	2	0.52
445	3	0.78

LENS: MEDIUM  
 BEAM: 25°

Lumen: 304  
 Watt: 6  
 Lm/W: 51  
 CCT: 3000K  
 CRI: 92 TYP

Cone Diagram		
Lux	h/m	Ø/m
1422	1	0.45
355	2	0.91
158	3	1.36

*Note : according to the choice of accessories (honeycomb or sanded glass), please consider the implications on the lumen output and the luminous distribution.*

LENS: WIDE  
 BEAM: 29°

Lumen: 332  
 Watt: 6  
 Lm/W: 55  
 CCT: 3000K  
 CRI: 92 TYP

Cone Diagram		
Lux	h/m	Ø/m
1408	1	0.51
352	2	1.03
156	3	1.54

ITEMS	LENSES	COLOUR TEMP.	POWER SUPPLY	BODY FINISHES
CODE	NARROW MEDIUM WIDE	2700K 3000K 4000K	CLL Vdc 24-32 DRIVER INCLUDED CSL Vf 11.3 If 500 mA DRIVER NOT INCLUDED	LACQUERED RAL9010 GLOSS LACQUERED BLACK
20 SCPM6	NB - MB - WB	2 - 3 - 4	D - N	LA - LB



Information provided with this document may be subject to change at any time.

RELEASED ON 13.06.2019