

CEILING - RECESSED



EXTERIOR DOWNLIGHT

SPRING MOUNTING

STEEL 6 COMFORT SP

Round lighting fixture with a very small frame and recessed lighting source for very low glare. Different optics allow precise control of beam spread and shape. Comfort downlight combine quality light with a sleek design.

Materials:

Heat-sink: Anodized Aluminium
 Body / Bushing: AISI 316L Stainless Steel
 Protective glass: Clear glass
 Lens: PMMA

Finishes:

Standard plus custom colours available in several palettes, including matte or gloss varnish.

Applications:

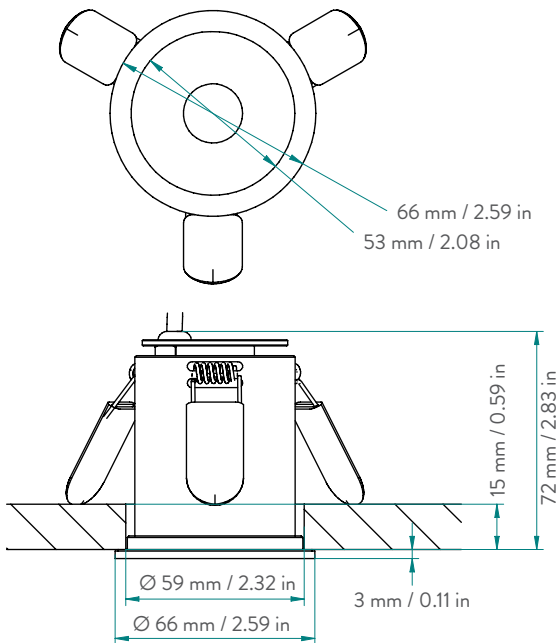
Suitable for general or accent lighting.

Dimensions:

Frame dimension: Ø 55 mm / 2.16 in
 Height: 73.5 mm / 2.89 in
 Cut out: 55.5 mm / 2.18 in



Drawing



Photometric Diagrams

LENS: NARROW
 BEAM: 15°
 Lumen: 344
 Watt: 6
 Lm/W: 74
 CCT: 3000K
 CRI: 90 TYP

Cone Diagram		
Lux	h/m	Ø/m
3950	1	0.23
987	2	0.47
438	3	0.71

LENS: MEDIUM
 BEAM: 25°
 Lumen: 304
 Watt: 6
 Lm/W: 77
 CCT: 3000K
 CRI: 90 TYP

Cone Diagram		
Lux	h/m	Ø/m
1807	1	0.44
987	2	0.87
438	3	1.31

LENS: WIDE
 BEAM: 36°
 Lumen: 332
 Watt: 6
 Lm/W: 67
 CCT: 3000K
 CRI: 90 TYP

Cone Diagram		
Lux	h/m	Ø/m
1399	1	0.66
349	2	1.31
155	3	1.97

ITEMS	LENSES	COLOUR TEMP.	POWER SUPPLY		BODY FINISHES	
CODE	NARROW MEDIUM WIDE	2700K 3000K 4000K	CLL Vdc 24-32 DRIVER INCLUDED	CSL Vf 11.3 If 500 mA DRIVER NOT INCLUDED	LAQUARED RAL9010 GLOSS	LACQUERED BLACK

20 SCSP6

NB - MB - WB

2 - 3 - 4

D - N

LA - LB



Information provided with this document may be subject to change at any time.

RELEASED ON 13.06.2019