

STEEL 6 POOL

Full steel, round lighting fixture with beam angle options for different light distributions.

Protection glass is positioned in front of the recessed optics. STEEL 6 Series is the ideal trade-off between power output and minimal installation depth, in a watertight assembly.

Materials:

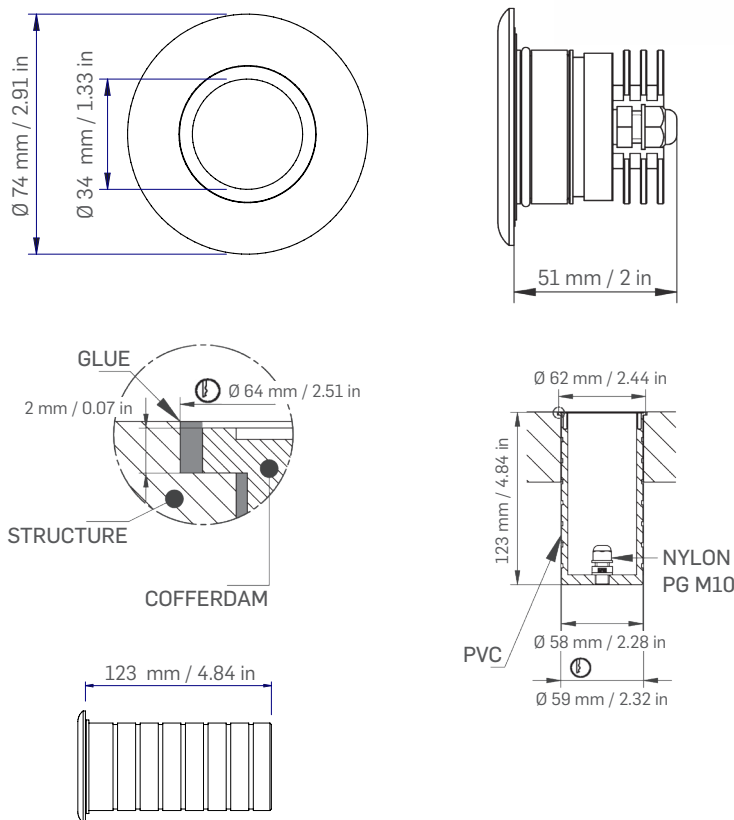
AISI 316L stainless steel body, aluminium heat sink and PMMA lens. Housing is in PVC.

Applications:

Suitable for general lighting of swimming pools, with lighting effect depending on selected beam angle.



DRAWING



PHOTOMETRIC DIAGRAMS

LENS: NARROW
BEAM: 12°

Cone Diagram		
Lux	h/m	\varnothing /m
4359	1	0.22
1090	2	0.43
484	3	0.65

Lumen: 341
Watt: 6
Lm/W: 57
CCT: 3000K
CRI: 92 TYP

LENS: MEDIUM
BEAM: 25°

Cone Diagram		
Lux	h/m	\varnothing /m
1794	1	0.45
449	2	0.89
199	3	1.34

Lumen: 419
Watt: 6
Lm/W: 70
CCT: 3000K
CRI: 92 TYP

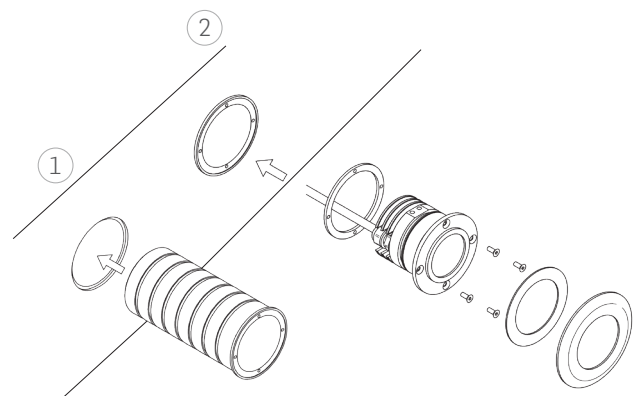
LED TYPE: CREE®

NOTE: rgbw version available on request.

LENS: WIDE
BEAM: 36°

Cone Diagram		
Lux	h/m	\varnothing /m
834	1	0.66
208	2	1.32
93	3	1.97

Lumen: 373
Watt: 6
Lm/W: 62
CCT: 3000K
CRI: 92 TYP



ITEMS	LENSES	COLOUR TEMP.	POWER SUPPLY	BODY FINISHES	
CODE	NARROW MEDIUM WIDE	2700K 3000K 4000K	CLL Vdc 24-32 DRIVER INCLUDED	CSL Vf 11.3 If 500 mA DRIVER NOT INCLUDED	POLISHED STAINLESS STEEL WITH PLASTIC HOUSING
20SRPH6	NB - MB - WB	2 - 3 - 4	D - N	FSPVC	



Information provided with this document may be subject to change at any time.

RELEASED ON 13.05.2019