

CEILING - RECESSED



EXTERIOR DOWNLIGHT

HOUSING MOUNTING

STEEL 6 SIDE R H - AG

Pre-tilted round lighting fixture with aluminium anti-glare and beam angle options for different light distributions. STEEL 6 Series is the ideal trade-off between power output and minimal installation depth, in a watertight assembly.

Materials:
AISI 316L stainless steel body, hard anodised aluminium heat sink and anti-glare and PMMA lens. Housing options are stainless steel, aluminium and plastic.

Finishes:
Frame comes in standard plus custom colours on request.

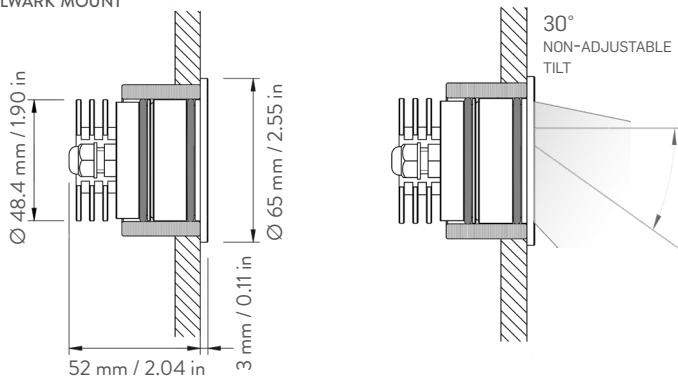
Applications:
Suitable for accent lighting of outdoor areas and side decks, with lighting effect depending on selected beam angle, position and orientation.



WITH ANTI-GLARE

DRAWING

BULWARK MOUNT



PHOTOMETRIC DIAGRAMS

LENS: NARROW
BEAM: 12°

| Cone Diagram | | |
|--------------|-----|-----------------|
| Lux | h/m | \varnothing/m |
| 4359 | 1 | 0.22 |
| 1090 | 2 | 0.43 |
| 484 | 3 | 0.65 |

Lumen: 341
Watt: 6
Lm/W: 57
CCT: 3000K
CRI: 92 TYP

LENS: MEDIUM
BEAM: 25°

| Cone Diagram | | |
|--------------|-----|-----------------|
| Lux | h/m | \varnothing/m |
| 1794 | 1 | 0.45 |
| 449 | 2 | 0.89 |
| 199 | 3 | 1.34 |

Lumen: 419
Watt: 6
Lm/W: 70
CCT: 3000K
CRI: 92 TYP

LED TYPE: CREE®

Note : according to the choice of accessories (sanded glass), please consider the implications on the lumen output and the luminous distribution.

LENS: WIDE
BEAM: 36°

| Cone Diagram | | |
|--------------|-----|-----------------|
| Lux | h/m | \varnothing/m |
| 834 | 1 | 0.66 |
| 208 | 2 | 1.32 |
| 93 | 3 | 1.97 |

Lumen: 373
Watt: 6
Lm/W: 62
CCT: 3000K
CRI: 92 TYP

BODY FINISHES w/ANTI-GLARE

STAINLESS STEEL



LACQUERED RAL9010 GLOSS



ACCESSORIES

SANDED GLASS



HOUSINGS AVAILABLE ON REQUEST | CODE: 25STEEL6APE

STAINLESS STEEL



IGORIINC (GLUED)
IGORISAL (WELDED)

ALUMINIUM



ALORIINC (GLUED)
ALORISAL (WELDED)

PLASTIC



PVCORIINC (GLUED)

ITEMS LENSES COLOUR TEMP. POWER SUPPLY BODY FINISHES ACCESSORIES

| CODE | NARROW MEDIUM WIDE | 2700K 3000K 4000K | CLL Vdc 24-32 DRIVER INCLUDED | CSL Vf 11.3 If 350 mA DRIVER NOT INCLUDED | POLISHED STAINLESS STEEL | LACQUERED RAL9010 GLOSS | SANDED GLASS |
|------|--------------------------|-------------------------|--|--|--------------------------------|-------------------------------|-----------------|
|------|--------------------------|-------------------------|--|--|--------------------------------|-------------------------------|-----------------|

20SSRH6

NB - MB - WB

2 - 3 - 4

D - N

SB - LB

SG



RECESSED
BULWARK MOUNT



SOLIDS & LIQUIDS
PROTECTION RATING



FIRE
PROTECTION



ELECTRICAL SHOCK
CLASS PROTECTION



EUROPEAN
CONFORMITY

Information provided with this document may be subject to change at any time.

RELEASED ON 13.05.2019