

# CEILING - BULWARK - RECESSED



EXTERIOR DOWNLIGHT

SCREW MOUNTING

## STEEL 6R SC - AG

Round lighting fixture with aluminium anti-glare ring and beam angle options for different light distributions. Protection glass is positioned between frame and anti-glare. STEEL 6 Series is the ideal trade-off between power output and minimal installation depth, in a watertight assembly.

### Materials:

AISI 316L stainless steel body, hard anodised aluminium heat sink and anti-glare and PMMA lens.

### Finishes:

Frame comes in standard plus custom colours on request.

### Applications:

Suitable for general lighting of outdoor areas and side decks, with lighting effect depending on selected beam angle.

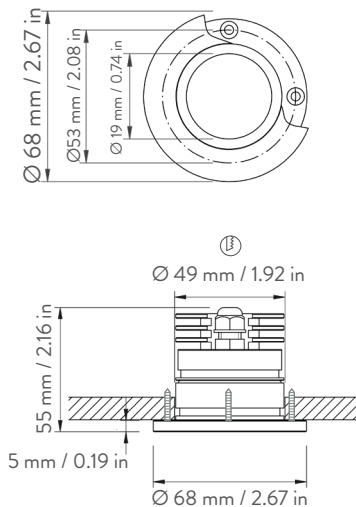


WITH ANTI-GLARE

### DRAWING

CEILING / BULWARK MOUNT

POSITION THE FIXTURE, THEN USE THE FOUR SCREWS FROM FRONT TO FIX IT AND FINALLY SCREW THE BEZEL.



### PHOTOMETRIC DIAGRAMS

LENS: NARROW  
BEAM: 12°

Lumen: 341  
Watt: 6  
Lm/W: 57  
CCT: 3000K  
CRI: 92 TYP

Cone Diagram		
Lux	h/m	$\varnothing/m$
4359	1	0.22
1090	2	0.43
484	3	0.65

LENS: MEDIUM  
BEAM: 25°

Lumen: 419  
Watt: 6  
Lm/W: 70  
CCT: 3000K  
CRI: 92 TYP

Cone Diagram		
Lux	h/m	$\varnothing/m$
1794	1	0.45
449	2	0.89
199	3	1.34

LED TYPE: CREE®

Note : according to the choice of accessories (sanded glass), please consider the implications on the lumen output and the luminous distribution.

LENS: WIDE  
BEAM: 36°

Lumen: 373  
Watt: 6  
Lm/W: 62  
CCT: 3000K  
CRI: 92 TYP

Cone Diagram		
Lux	h/m	$\varnothing/m$
834	1	0.66
208	2	1.32
93	3	1.97

### BODY FINISHES W/ANTI-GLARE

STAINLESS STEEL



LACQUERED  
RAL9010 GLOSS



SANDED  
GLASS



ITEMS	LENSES	COLOUR TEMP.	POWER SUPPLY	BODY FINISHES	ACCESSORIES		
CODE	NARROW MEDIUM WIDE	2700K 3000K 4000K	CLL Vdc 24-32 DRIVER INCLUDED	CSL VF 11.3 If 500 mA DRIVER NOT INCLUDED	POLISHED STAINLESS STEEL	LACQUERED RAL9010 GLOSS	SANDED GLASS
20SRSC6	NB - MB - WB	2 - 3 - 4	D - N	SB - LB	SG		



RECESSED  
BULWARK MOUNT



RECESSED  
CEILING MOUNT



SOLIDS & LIQUIDS  
PROTECTION RATING



FIRE  
PROTECTION



ELECTRICAL SHOCK  
CLASS PROTECTION



EUROPEAN  
CONFORMITY

Information provided with this document may be subject to change at any time.

RELEASED ON 13.05.2019