

CEILING - BULWARK - RECESSED



EXTERIOR DOWNLIGHT

HOUSING SPRING MOUNTING

STEEL 6S HSP - AG

Square lighting fixture with aluminium anti-glare ring and beam angle options for different light distributions. Protection glass is positioned between frame and anti-glare. STEEL 6 Series is the ideal trade-off between power output and minimal installation depth, in a watertight assembly.

Materials:

AISI 316L stainless steel body, hard anodised, aluminium heat sink anti-glare and PMMA lens.
Housing options are stainless steel, aluminium and plastic.

Finishes:

Frame comes in standard plus custom colours on request.

Applications:

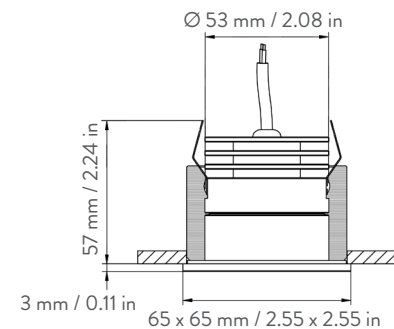
Suitable for accent lighting of outdoor areas and side decks, with lighting effect depending on selected beam angle.



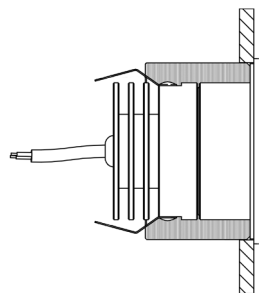
WITH ANTI-GLARE

DRAWING

CEILING MOUNT



BULWARK MOUNT



PHOTOMETRIC DIAGRAMS

LENS: NARROW
BEAM: 12°

Lumen: 341
Watt: 6
Lm/W: 57
CCT: 3000K
CRI: 92 TYP

Cone Diagram		
Lux	h/m	Ø/m
4359	1	0.22
1090	2	0.43
484	3	0.65

LENS: MEDIUM
BEAM: 25°

Lumen: 419
Watt: 6
Lm/W: 70
CCT: 3000K
CRI: 92 TYP

Cone Diagram		
Lux	h/m	Ø/m
1794	1	0.45
449	2	0.89
199	3	1.34

LED TYPE: CREE®

Note : according to the choice of accessories (sanded glass), please consider the implications on the lumen output and the luminous distribution.

LENS: WIDE
BEAM: 36°

Lumen: 373
Watt: 6
Lm/W: 62
CCT: 3000K
CRI: 92 TYP

Cone Diagram		
Lux	h/m	Ø/m
834	1	0.66
208	2	1.32
93	3	1.97

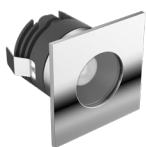
BODY FINISHES

W/ANTI-GLARE

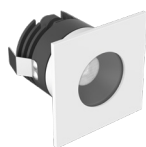
ACCESSORIES

HOUSINGS AVAILABLE ON REQUEST | CODE: 25STEEL6APE

STAINLESS STEEL



LACQUERED RAL9010 GLOSS



SANDED GLASS



STAINLESS STEEL



IGMOLINC (GLUED)
IGMOLSAL (WELDED)

ALUMINIUM



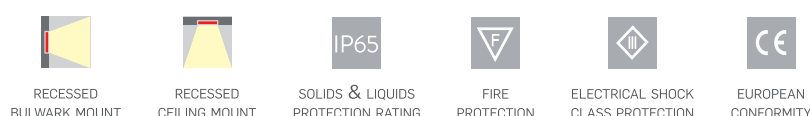
ALMOLINC (GLUED)
ALMOLSAL (WELDED)

PLASTIC



PVCMOLINC (GLUED)

ITEMS	LENSES	COLOUR TEMP.	POWER SUPPLY	BODY FINISHES	ACCESSORIES
CODE	NARROW MEDIUM WIDE	2700K 3000K 4000K	CLL Vdc 24-32 DRIVER INCLUDED CSL Vf 11.3 If 350 mA DRIVER NOT INCLUDED	POLISHED STAINLESS STEEL LACQUERED RAL9010 GLOSS	SANDED GLASS
20SSHS6	NB - MB - WB	2 - 3 - 4	D - N	SB - LB	SG



Information provided with this document may be subject to change at any time.

RELEASED ON 13.05.2019