

CEILING - RECESSED



EXTERIOR DOWNLIGHT

SPRING MOUNTING

STEEL 8R SP - AG

Round lighting fixture with aluminium anti-glare ring and beam angle options for different light distributions. Protection glass is positioned between frame and anti-glare. With STEEL 8 Series elegant design meets high output and optimal efficiency, in a watertight assembly.

Materials:

AISI 316L stainless steel body, hard anodised aluminium heat sink and anti-glare and PMMA lens.

Finishes:

Frame comes in standard plus custom colours on request.

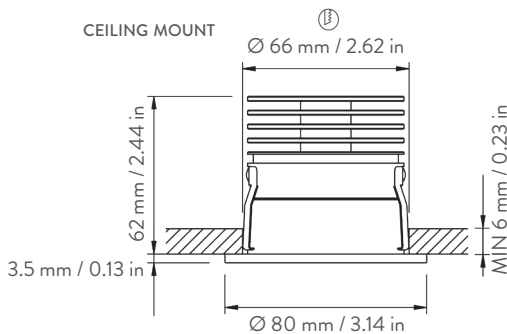
Applications:

Suitable for general and uniform lighting of outdoor areas and side decks, these downlights cover all design needs when combined with smaller products and optimal beam angle selection.



WITH ANTI-GLARE

DRAWING



PHOTOMETRIC DIAGRAMS

LENS: MEDIUM
BEAM: 21°

Cone Diagram		
Lux	h/m	Ø/m
3646	1	0.37
912	2	0.74
405	3	1.11

Lumen: 754
Watt: 9
Lm/W: 83
CCT: 3000K
CRI: 92 TYP

LENS: WIDE
BEAM: 38°

Cone Diagram		
Lux	h/m	Ø/m
1647	1	0.69
412	2	1.38
183	3	2.07

Lumen: 779
Watt: 9
Lm/W: 86
CCT: 3000K
CRI: 92 TYP

LED TYPE: CREE®

Note : according to the choice of accessories (sanded glass), please consider the implications on the lumen output and the luminous distribution.

BODY FINISHES W/ ANTI-GLARE

STAINLESS
STEEL



LACQUERED
RAL9010 GLOSS



ACCESSORIES

SANDED
GLASS



ITEMS	LENSES	COLOUR TEMP.	POWER SUPPLY	BODY FINISHES	ACCESSORIES
CODE	MEDIUM WIDE	2700K 3000K 4000K	CLL Vdc 24-32 DRIVER INCLUDED CSL Vf 16.5 If 500 mA DRIVER NOT INCLUDED	POLISHED STAINLESS STEEL LACQUERED RAL9010 GLOSS	SANDED GLASS
20SRSP8	MB - WB	2 - 3 - 4	D - N	SB - LB	SG



Information provided with this document may be subject to change at any time.

RELEASED ON 13.05.2019