

RECESSED



EXTERIOR UPLIGHT

HOUSING MOUNTING

STEEL 8R U H - AG

Round lighting fixture with aluminium anti-glare ring and beam angle options for different light distributions. Protection glass is positioned between frame and anti-glare. STEEL 8 Series is the ideal trade-off between power output and minimal installation depth, in a watertight assembly.

Materials:

AISI 316L stainless steel body, hard anodised, aluminium heat sink anti-glare and PMMA lens.

Finishes:

Frame comes in standard plus custom colours on request.

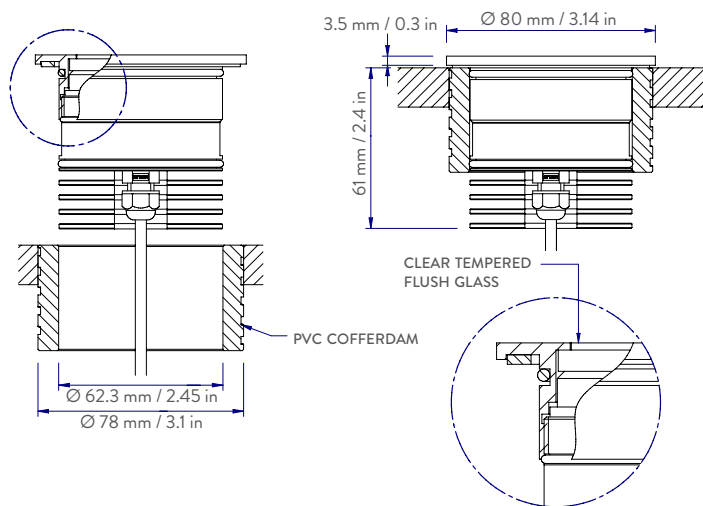
Applications:

Suitable to create light accents adding amazing effects to every setting.



WITH ANTI-GLARE

DRAWING



PHOTOMETRIC DIAGRAMS

LENS: MEDIUM
BEAM: 21°

Lumen: 754
Watt: 9
Lm/W: 83
CCT: 3000K
CRI: 92 TYP

Cone Diagram		
Lux	h/m	Ø/m
3646	1	0.37
912	2	0.74
405	3	1.11

LENS: WIDE
BEAM: 38°

Lumen: 779
Watt: 9
Lm/W: 86
CCT: 3000K
CRI: 92 TYP

Cone Diagram		
Lux	h/m	Ø/m
1647	1	0.69
412	2	1.38
183	3	2.07

LED TYPE: CREE®

Note: according to the choice of accessories (sanded glass), please consider the implications on the lumen output and the luminous distribution.

BODY FINISHES

W/ANTI-GLARE

ACCESSORIES

STAINLESS STEEL



LACQUERED RAL9010 GLOSS



SANDED GLASS



STAINLESS STEEL



IGINC (GLUED)
IGSAL (WELDED)

ALUMINIUM



ALINC (GLUED)
ALSAL (WELDED)

PLASTIC



PVCINC (GLUED)

HOUSINGS AVAILABLE ON REQUEST | CODE: 25STEEL8APE

ITEMS

LENSES

COLOUR TEMP.

POWER SUPPLY

BODY FINISHES

ACCESSORIES

CODE

MEDIUM
WIDE

2700K
3000K
4000K

CLL
Vdc 24-32
DRIVER
INCLUDED

CSL
Vf16.5 If500 mA
DRIVER
NOT INCLUDED

POLISHED
STAINLESS
STEEL

LACQUERED
RAL9010
GLOSS

SANDED
GLASS

20SRHU8

MB - WB

2 - 3 - 4

D - N

SB - LB

SG



RECESSED
BULKHEAD MOUNT



SOLIDS & LIQUIDS
PROTECTION RATING



FIRE
PROTECTION



ELECTRICAL SHOCK
CLASS PROTECTION



EUROPEAN
CONFORMITY

Information provided with this document may be subject to change at any time.

RELEASED ON 13.05.2019