

# CEILING - RECESSED



EXTERIOR DOWNLIGHT

HOUSING SPRING MOUNTING

## STEEL 9R HSP - AG

Adjustable round lighting fixture with aluminium anti-glare and beam angle options for different light distributions. STEEL 9 Series offers STEEL 6 lighting performances with the advantage of a gyroscopic core, in a watertight assembly.

### Materials:

AISI 316L stainless steel body, hard anodised aluminium heat sink, anti-glare and honeycomb and PMMA lens. Housing options are stainless steel, aluminium and plastic.

### Finishes:

Frame comes in standard plus custom colours on request.

### Applications:

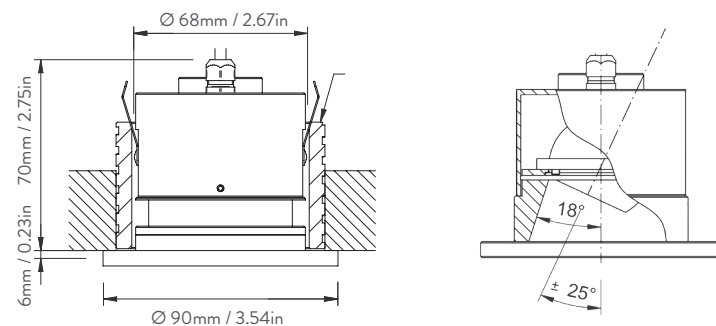
Suitable for general lighting of outdoor areas and side decks, with lighting effect depending on selected beam angle, position and tilt angle.



WITH ANTI-GLARE

### DRAWING

#### CEILING MOUNT



### PHOTOMETRIC DIAGRAMS

LENS: NARROW  
BEAM: 12°

Lumen: 341  
Watt: 6  
Lm/W: 57  
CCT: 3000K  
CRI: 92 TYP

Cone Diagram		
Lux	h/m	Ø/m
4359	1	0.22
1090	2	0.43
484	3	0.65

LENS: MEDIUM  
BEAM: 25°

Lumen: 419  
Watt: 6  
Lm/W: 70  
CCT: 3000K  
CRI: 92 TYP

Cone Diagram		
Lux	h/m	Ø/m
1794	1	0.45
449	2	0.89
199	3	1.34

LED TYPE: CREE®

Note : according to the choice of accessories (sanded glass), please consider the implications on the lumen output and the luminous distribution.

LENS: WIDE  
BEAM: 36°

Lumen: 373  
Watt: 6  
Lm/W: 62  
CCT: 3000K  
CRI: 92 TYP

Cone Diagram		
Lux	h/m	Ø/m
834	1	0.66
208	2	1.32
93	3	1.97

### BODY FINISHES W/ANTI-GLARE

STAINLESS STEEL



LACQUERED  
RAL9010 GLOSS



### ACCESSORIES

SANDED  
GLASS



### HOUSINGS AVAILABLE ON REQUEST | CODE: 25STEEL9HSP

STAINLESS STEEL



IGINC (GLUED)  
IGSAL (WELDED)

ALUMINIUM



ALINC (GLUED)  
ALSAL (WELDED)

PLASTIC



PVCINC  
(GLUED)

ITEMS	LENSES	COLOUR TEMP.	POWER SUPPLY	BODY FINISHES	ACCESSORIES
CODE	NARROW MEDIUM WIDE	2700K 3000K 4000K	CLL Vdc 24-32 DRIVER INCLUDED CSL Vf11.3 If 500 mA DRIVER NOT INCLUDED	POLISHED STAINLESS STEEL LACQUERED RAL9010 GLOSS	SANDED GLASS
20SRHS9	NB - MB - WB	2 - 3 - 4	D - N	SB - LB	SG



Information provided with this document may be subject to change at any time.

RELEASED ON 13.05.2019