

CEILING - RECESSED



EXTERIOR DOWNLIGHT

SCREW MOUNTING

STEEL 9R SC - AG

Adjustable round lighting fixture with aluminium anti-glare and beam angle options for different light distributions. STEEL 9 Series offers STEEL 6 lighting performances with the advantage of a gyroscopic core, in a watertight assembly.

Materials:

AISI 316L stainless steel body, hard anodised aluminium heat sink, anti-glare and honeycomb and PMMA lens.

Finishes:

Frame comes in standard plus custom colours on request.

Applications:

Suitable for general lighting of outdoor areas and side decks, with lighting effect depending on selected beam angle, position and tilt angle.

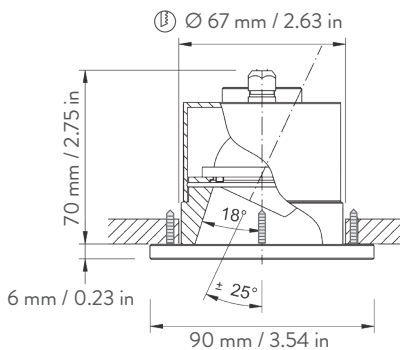
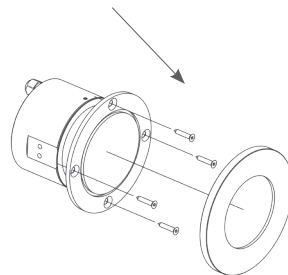
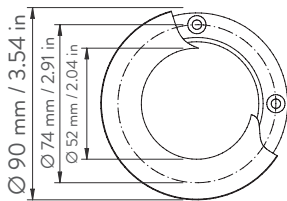


WITH ANTI-GLARE

DRAWING

CEILING MOUNT

POSITION THE FIXTURE, THEN USE THE FOUR SCREWS FROM FRONT TO FIX IT AND FINALLY SCREW THE BEZEL.



PHOTOMETRIC DIAGRAMS

LENS: NARROW
BEAM: 12°

Lumen: 341
Watt: 6
Lm/W: 57
CCT: 3000K
CRI: 92 TYP

Cone Diagram		
Lux	h/m	Ø/m
4359	1	0.22
1090	2	0.43
484	3	0.65

LENS: MEDIUM
BEAM: 25°

Lumen: 419
Watt: 6
Lm/W: 70
CCT: 3000K
CRI: 92 TYP

Cone Diagram		
Lux	h/m	Ø/m
1794	1	0.45
449	2	0.89
199	3	1.34

LED TYPE: CREE®

Note : according to the choice of accessories (sanded glass), please consider the implications on the lumen output and the luminous distribution.

LENS: WIDE
BEAM: 36°

Lumen: 373
Watt: 6
Lm/W: 62
CCT: 3000K
CRI: 92 TYP

Cone Diagram		
Lux	h/m	Ø/m
834	1	0.66
208	2	1.32
93	3	1.97

BODY FINISHES W/ANTI-GLARE

STAINLESS STEEL



LACQUERED
RAL9010 GLOSS



SANDED
GLASS



ITEMS	LENSES	COLOUR TEMP.	POWER SUPPLY	BODY FINISHES	ACCESSORIES
CODE	NARROW MEDIUM WIDE	2700K 3000K 4000K	CLL Vdc 24-32 DRIVER INCLUDED CSL Vf11.3 If 500 mA DRIVER NOT INCLUDED	POLISHED STAINLESS STEEL LACQUERED RAL9010 GLOSS	SANDED GLASS
20SRSC9	NB - MB - WB	2 - 3 - 4	D - N	SB - LB	SG



Information provided with this document may be subject to change at any time.

RELEASED ON 13.05.2019