

# CEILING - RECESSED



EXTERIOR DOWNLIGHT

SPRING MOUNTING

## STEEL 6 SIDE R SP - AG

Pre-tilted round lighting fixture with aluminium anti-glare and beam angle options for different light distributions. STEEL 6 Series is the ideal trade-off between power output and minimal installation depth, in a watertight assembly.

**Materials:**

AISI 316L stainless steel body, hard anodised aluminium heat sink and anti-glare and PMMA lens.

**Finishes:**

Frame comes in standard plus custom colours on request.

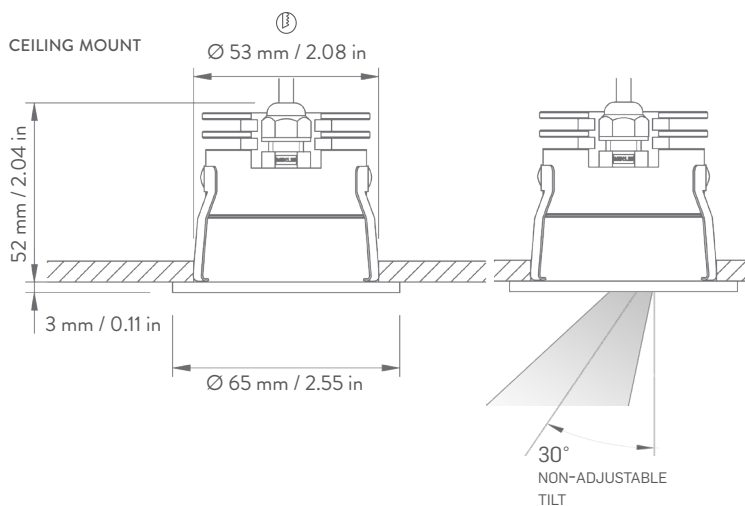
**Applications:**

Suitable for general lighting of outdoor areas and side decks, with lighting effect depending on selected beam angle, position and orientation.



WITH ANTI-GLARE

**DRAWING**



**PHOTOMETRIC DIAGRAMS**

LENS: NARROW  
BEAM: 12°

Lumen: 341  
Watt: 6  
Lm/W: 57  
CCT: 3000K  
CRI: 92 TYP

Cone Diagram		
Lux	h/m	Ø/m
4359	1	0.22
1090	2	0.43
484	3	0.65

LENS: MEDIUM  
BEAM: 25°

Lumen: 419  
Watt: 6  
Lm/W: 70  
CCT: 3000K  
CRI: 92 TYP

Cone Diagram		
Lux	h/m	Ø/m
1794	1	0.45
449	2	0.89
199	3	1.34

LED TYPE: CREE®

Note : according to the choice of accessories (sanded glass), please consider the implications on the lumen output and the luminous distribution.

LENS: WIDE  
BEAM: 36°

Lumen: 373  
Watt: 6  
Lm/W: 62  
CCT: 3000K  
CRI: 92 TYP

Cone Diagram		
Lux	h/m	Ø/m
834	1	0.66
208	2	1.32
93	3	1.97

**BODY FINISHES W/ANTI-GLARE**

STAINLESS STEEL



LACQUERED  
RAL9010 GLOSS



SANDED  
GLASS



**ACCESSORIES**

ITEMS	LENSES	COLOUR TEMP.	POWER SUPPLY	BODY FINISHES	ACCESSORIES		
CODE	NARROW MEDIUM WIDE	2700K 3000K 4000K	CLL Vdc 24-32 DRIVER INCLUDED	CSL Vf 11.3 If 500 mA DRIVER NOT INCLUDED	POLISHED STAINLESS STEEL	LACQUERED RAL9010 GLOSS	SANDED GLASS
20SSRS6	NB - MB - WB	2 - 3 - 4	D - N	SB - LB	SG		



Information provided with this document may be subject to change at any time.

RELEASED ON 13.05.2019