

# CEILING - RECESSED



## EXTERIOR DOWNLIGHT

SPRING MOUNTING

### STEEL 8S SP - AG

Square lighting fixture with aluminium anti-glare ring and beam angle options for different light distributions. Protection glass is positioned between frame and anti-glare. With STEEL 8 Series elegant design meets high output and optimal efficiency, in a watertight assembly.

#### Materials:

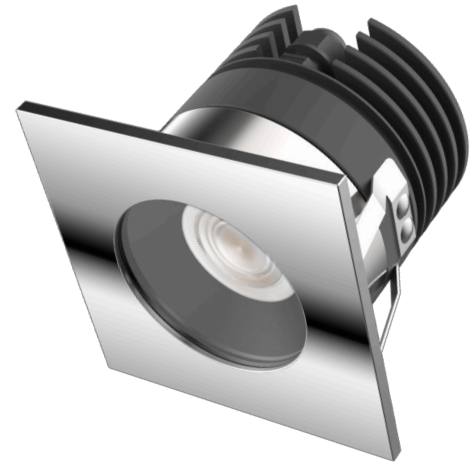
AISI 316L stainless steel body, hard anodised aluminium heat sink and anti-glare and PMMA lens.

#### Finishes:

Frame comes in standard plus custom colours on request.

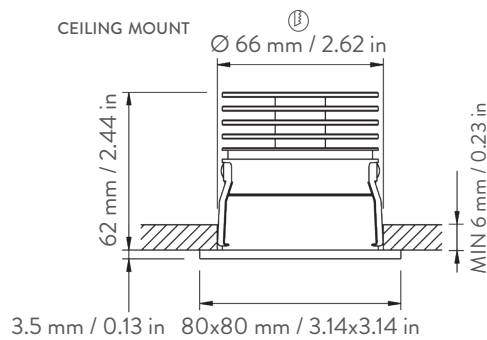
#### Applications:

Suitable for general and uniform lighting of outdoor areas and side decks, these downlights cover all design needs when combined with smaller products and optimal beam angle selection.



WITH ANTI-GLARE

#### DRAWING



#### PHOTOMETRIC DIAGRAMS

LENS: MEDIUM  
BEAM: 21°

Lumen: 754  
Watt: 9  
Lm/W: 83  
CCT: 3000K  
CRI: 92 TYP

Cone Diagram		
Lux	h/m	Ø/m
3646	1	0.37
912	2	0.74
405	3	1.11

LENS: WIDE  
BEAM: 38°

Lumen: 779  
Watt: 9  
Lm/W: 86  
CCT: 3000K  
CRI: 92 TYP

Cone Diagram		
Lux	h/m	Ø/m
1647	1	0.69
412	2	1.38
183	3	2.07

LED TYPE: CREE®

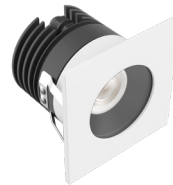
Note : according to the choice of accessories (sanded glass), please consider the implications on the lumen output and the luminous distribution.

#### BODY FINISHES w/ ANTI-GLARE

STAINLESS STEEL



LACQUERED  
RAL9010 GLOSS



#### ACCESSORIES

SANDED  
GLASS



ITEMS	LENSES	COLOUR TEMP.	POWER SUPPLY	BODY FINISHES	ACCESSORIES
CODE	MEDIUM WIDE	2700K 3000K 4000K	CLL Vdc 24-32 DRIVER INCLUDED CSL Vf 16.5 If 500 mA DRIVER NOT INCLUDED	POLISHED STAINLESS STEEL LACQUERED RAL9010 GLOSS	SANDED GLASS
<b>20SSSP8</b>	<b>MB - WB</b>	<b>2 - 3 - 4</b>	<b>D - N</b>	<b>SB - LB</b>	<b>SG</b>



Information provided with this document may be subject to change at any time.

RELEASED ON 13.05.2019