

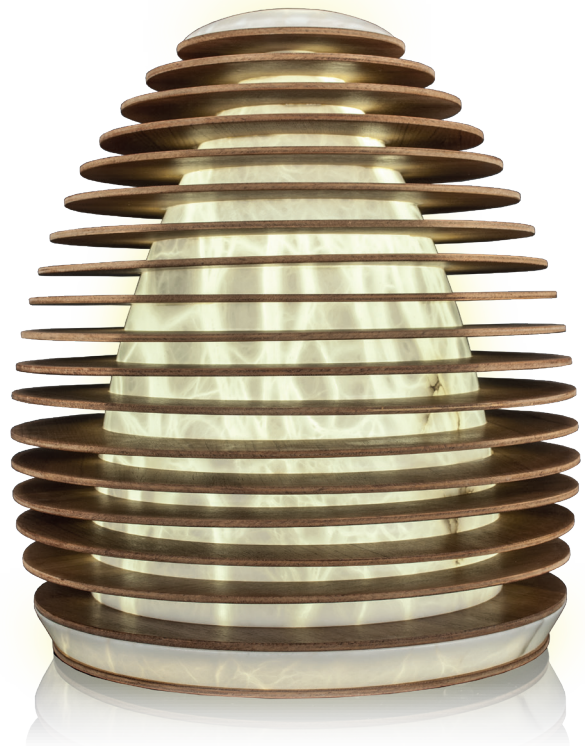
TABLE LAMPS

for Interiors

BEEHIVE



A large table lamp, conceived and designed by Omega Architects and made of natural materials, is able to recreate a suggestive luminous atmosphere in any context. The craftsmanship of the light diffuser in alabaster combined with teak rings defines the original BeeHive design.



MATERIALS

- INTERNAL STRUCTURE IN STAINLESS STEEL BODY
- TEAK DISKS
- ALABASTER DIFFUSER

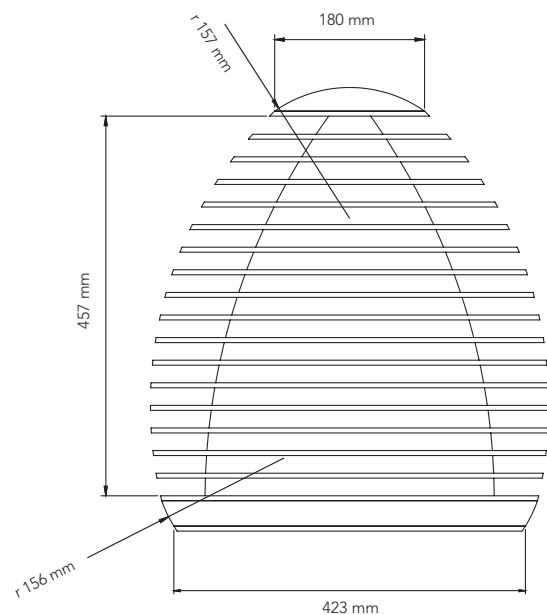
APPLICATIONS

- DECORATIVE LIGHTING
- TABLE LIGHT

TECHNICAL DATA

- CCT: 3000K
- CRI: ≥ 80
- WATT: 30W
- POWER SUPPLY: 24 VDC

DRAWINGS



PRODUCT CODE ON REQUEST