

PORTABLE TABLE LAMP

for Interiors & Exteriors



OTTO SHU

DRAWINGS



BATTERY POWERED
LOCAL CONTROL ON/OFF/DIMM
BUILT IN AISI316L STAINLESS STEEL
SUITABLE BOTH FOR YACHT AND VILLA

MATERIALS AND FINISHES

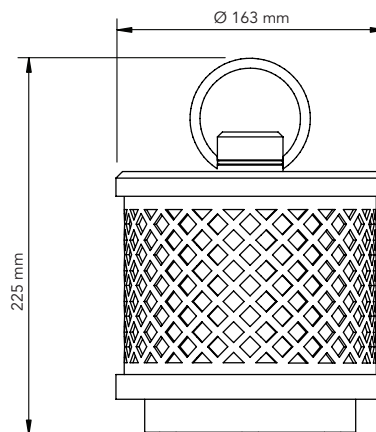
SATIN STAINLESS STEEL BODY
SANDED GLASS DIFFUSER
RATTAN COVER

APPLICATIONS

DECORATIVE LIGHTING
TABLE LIGHT

TECHNICAL DATA

CCT: 3000K
CRI: 80
POWER: 6W
POWER RECHARGE: 100-240 VAC 50/60 HZ (INCLUDED)
AUTONOMY: AROUND 8-10 HOURS
WEIGHT: 4.2 Kg



OTTO SHU

CODE

LLI17195A