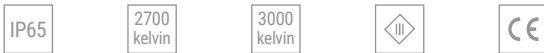


**TABLE LAMP**

for Interiors and Exteriors



# OTTO BETTY PORTABLE



BATTERY POWERED  
LOCAL TOUCH CONTROL ON/OFF/DIMM  
SUITABLE BOTH FOR YACHT AND VILLA

**MATERIALS AND FINISHES**

POLISHED AISI 316L STAINLESS STEEL BODY  
LACQUERED WHITE ALUMINIUM LAMPSHADE  
TEMPERED SANDED GLASS TOP DIFFUSER  
SANDED PMMA BOTTOM DIFFUSER

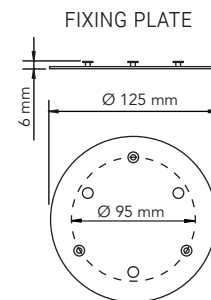
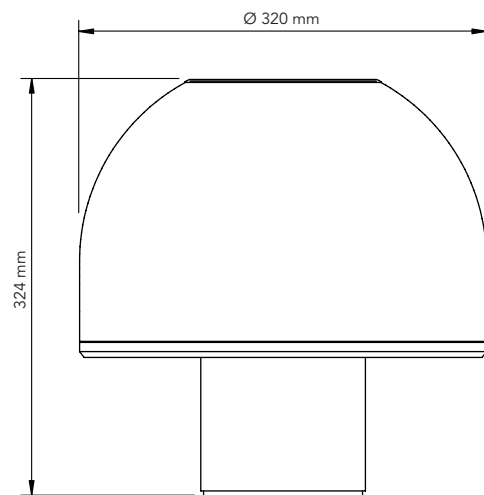
**APPLICATIONS**

TABLE LIGHT  
WET AREAS

**TECHNICAL DATA**

CCT: 2700 K (CODE ENDS IN "2 LA")/ 3000 K (CODE ENDS IN "3 LA")  
Li-Ion CHARGER: 100-240 Vac 50-60 Hz 2,5 A max  
DC 16,8 V --- 3 A (SUPPLIED)  
AUTONOMY: 9 h (MAX POWER)  
RECHARGE TIME: UP TO 2 h  
WEIGHT: 11,7 kg

**DRAWINGS**



**CODE (WITHOUT FIXING PLATE)**

45 OTTO BETT 01 D2 LA  
45 OTTO BETT 01 D3 LA

**CODE (WITH FIXING PLATE)**

45 OTTO BETT 02 D2 LA  
45 OTTO BETT 02 D3 LA